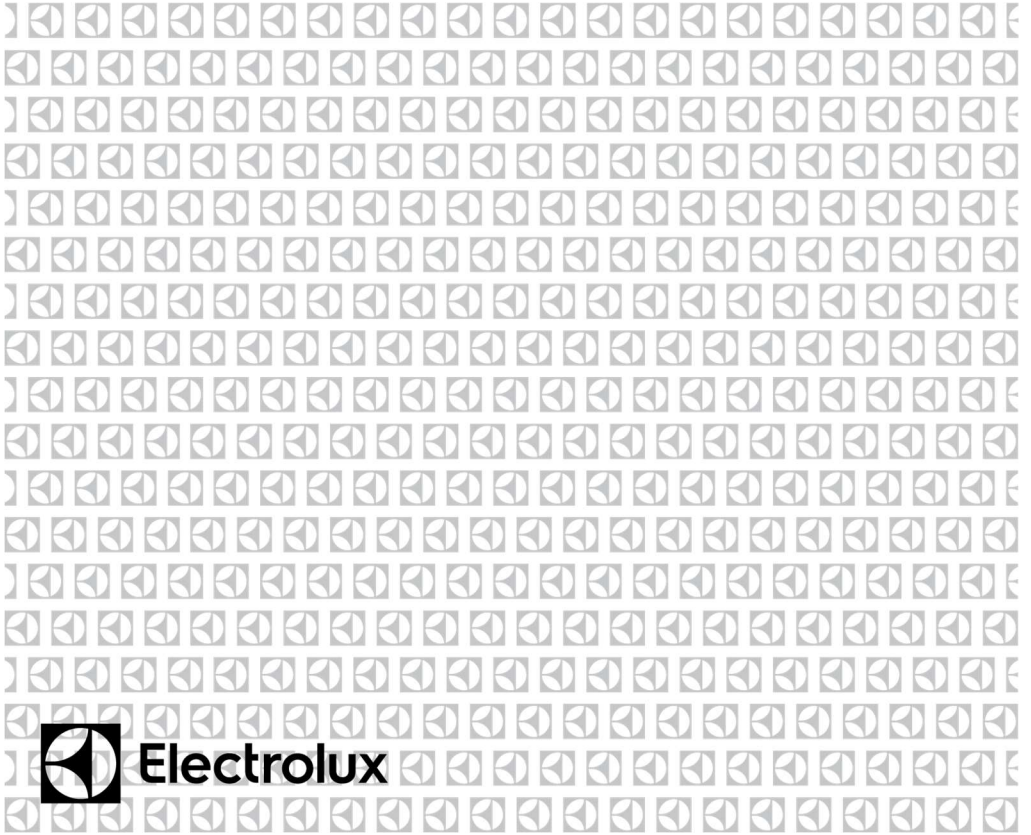


KBD4X KBD9X
KBD4Z KBD9Z
KBD4T KBD9T
EBD4X EBD9X



EN Warming drawer
FR Tiroir chauffant
ZH 保温抽屉
AR الاحتارار درج

User manual 2
Manuel d'utilisation 14
用户手册 26
دليل المستخدم 38



Electrolux

CONTENTS

1.	SAFETY INFORMATION.....	3
2.	APPLIANCE DESCRIPTION	8
3.	USE	9
4.	CLEANING AND MAINTENANCE	11
5.	WHAT SHOULD I DO IF THE WARMING DRAWER DOESN'T WORK?12	
6.	INSTALLATION INSTRUCTIONS	12
7.	ENVIRONMENTAL PROTECTION	13

DESIGNED FOR YOU

Thank you for purchasing an Electrolux appliance. You have chosen a product that brings with it decades of professional experience and innovation. Ingenious and stylish, it has been designed with you mind. So whenever you use it, you can be safe in the knowledge that you'll get great results every time. Welcome to Electrolux.

Visit our website to:



Get usage advice, brochures, troubleshooting and service information:
www.electrolux.com



Register your product for better service:
www.electrolux.com/productregistration



Buy accessories, consumables and original spare parts for your appliance:
www.electrolux.com/shop

CUSTOMER CARE AND SERVICE

We recommend the use of original spare parts.

When contacting Service, ensure that you have the following data available.

The information can be found on the appliance dataplate. Model, PCN, Serial Number.



Warning / Caution - Safety information



General information and tips



Environmental information.

Subject to change without notice.

1. SAFETY INFORMATION

Carefully read the instructions before installing and using the equipment. The manufacturer is not liable for property damage or personal injury resulting from improper installation and use of the equipment. Always keep the instructions at hand, so they can be easily referred to during use. This appliance complies with applicable safety standards. Improper use of the appliance may put users, bystanders and property at risk.

1.1 Safety of children and vulnerable adults



WARNING!

Risk of suffocation, injury or permanent disability.

- This appliance may be used by children aged 8 years and over and persons with reduced physical, sensory or mental capabilities or lack of experience and knowledge as long as they are given supervision or instructions concerning how to use the appliance in a safe way and understand the hazards involved.
- Children should not play with the appliance. Keep children under the age of three away from the appliance.
- Keep packaging materials out of reach of children.
- Keep children and pets away from the appliance during operation or cooling. The accessible parts are red hot.
- Cleaning and maintenance should not be performed by unsupervised children.
- Keep the appliance and its cable out of reach of children under the age of eight.

1.2 General safety warnings

During use, the appliance becomes hot. Care should be taken to avoid touching heating elements inside the device. Always use oven gloves to insert or remove accessories or oven-proof cookware.

- Depending on temperature selected and the operating time, the temperature inside the appliance may reach 80°C. When taking crockery out of the crockery warmer, protect your hands using oven gloves or a tea towel.
- Do not sit or hang on the drawer – the telescopic runners would be damaged. The maximum load capacity of the drawer is 15 kg.
- Do not store synthetic containers or flammable objects inside the crockery warmer. When you switch on the appliance such containers and objects may melt or catch fire. Fire hazard!
- Do not use the appliance as a space heater. The high temperatures reached could cause flammable objects close to the appliance to catch fire.
- When you stop using the appliance at the end of its working life, disconnect it from the power supply and render the electrical cable unusable so that it is not a hazard to children, for example.

1.3 Installation

- Refer to the installation instructions supplied separately.
- The installation must ensure protection against direct contact with live parts.

- The electric system must be equipped with an isolation switch providing all-pole contact separation which provides for full disconnection under overvoltage category III.
- A plug must be used for the electrical connection; this must remain accessible after installation.
- ⚠ Warning! Before connecting the appliance, compare the power supply data (voltage and frequency) indicated on the data plate with those of the mains supply. If these data do not match there may be problems. In case of doubt, contact an electrician.
- ⚠ Warning! If the appliance is to be connected without using a plug (hard-wired), the appliance must be installed and connected by a technician. Contact a qualified electrician who will perform the work in accordance with electrical code and comply with all provisions of this manual. The manufacturer cannot be held responsible for damage resulting from installation or connection errors.
- ⚠ Warning! The electrical safety of the appliance can only be guaranteed if it is properly earthed. The manufacturer cannot be held responsible for damage resulting from the absence of or defects in the installation's protective earthing system (e.g. electrical shock).
- ⚠ Warning! Only use the appliance once it has been fully installed. Only full and final installation within the kitchen unit carcass can ensure that there is no risk of contact with live parts.

- ⚠ WARNING! Never open the appliance's structure. Potential contact with live parts or any modifications to the electrical and mechanical structure can lead to hazardous situations for users and compromise correct operation of the appliance.

1.4 Cleaning

- Do not use harsh abrasive cleaners or metal scrapers/scourers to clean the device since they can scratch the surface.
- Do not use steam cleaners to clean the appliance.
- Do not use high pressure or steam jet cleaning devices. The steam may affect electrical components and cause a short circuit. The steam pressure may also cause damage to the appliance's surface and components in the long time.

1.5 Repairs

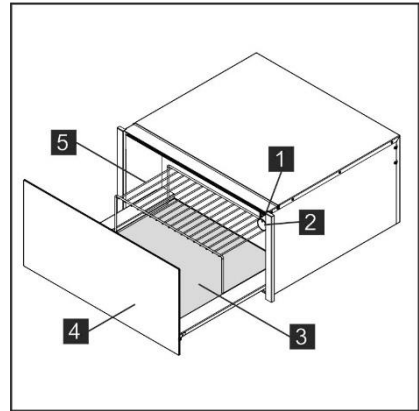
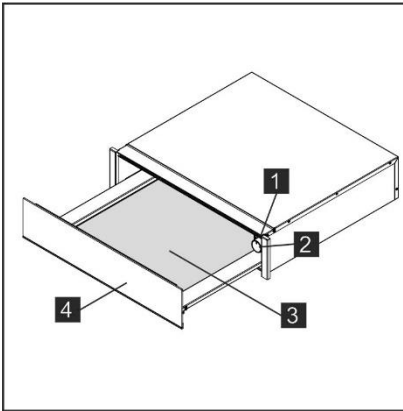
- If the appliance's power supply cable is damaged, it must be replaced by the manufacturer, by an authorised technician or by a qualified electrician in order to negate any potential hazards.
- ⚠ Warning! The appliance must be isolated from the electricity supply when installation and repair work is being performed. To disconnect the appliance from the current, one of the following conditions must be met:
 - The relevant fuses / circuit breakers at the switchboard must be disconnected.
 - The plug should be removed from the socket. To remove the plug from the socket do not pull on the electric cable but rather pull out the plug itself directly.

- ⚠ Warning! Repairs and maintenance, especially of live components, must only be performed by technicians authorised by the manufacturer. The manufacturer and retailer do not accept responsibility for any injury to people or animals or damage to personal property as a result of repairs and maintenance carried out by non-authorised personnel.
- ⚠ Warning! Repairs undertaken during the warranty period must only be performed by technicians authorised by the manufacturer. If this is not the case then any damage resulting from the repair in question shall be excluded from the guarantee.

2. APPLIANCE DESCRIPTION

2.1 Main components

- 1** On/Off switch and light
- 2** Thermostat
- 3** Non-slip base
- 4** Front panel with push-push mechanism or handle
- 5** Support rack (depending on the model)



2.2 How the warming drawer works

This appliance is equipped with a warm air circulation system. A fan distributes the heat generated by an electrical heating element throughout the interior of the appliance.

The thermostat allows the user to set and control the temperature for the crockery. The circulating hot air that is generated heats up the crockery quickly and evenly.

A protective grille prevents accidental contact with the heating element and fan. The base of the drawer is covered with non-slip material to stop dishes from moving when the drawer is opened or closed.

3. USE

3.1 Before First Use

Before using the appliance for the first time you should clean the interior and the exterior, following the cleaning instructions given in the section "Cleaning and maintenance".

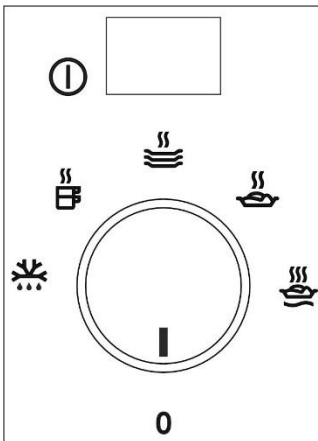
Remove the non-slip base.

Then heat the warming drawer for at least 2 hours. To do this, turn the temperature control to the maximum position (see section "Selecting temperature").

Make sure the kitchen is well-ventilated when you are doing this.

The appliance's parts are treated with a special product. This may cause an unpleasant odour to be released during this initial heating. Both the odour and any fumes that may form will disappear after a short time and neither signifies that there is anything wrong with the connection or the appliance.

3.2 Control panel



The control panel has a selector and an on/off switch. The control panel is only visible when the drawer is open.

3.3 Using the warming drawer

To use the warming drawer, proceed as follows:

- Place the crockery in the drawer.
- Do not arrange plates vertically in front of the ventilation slots.
The warm air would not be able to fully escape from the slots. This would lead to uneven heating of crockery.
- Select the desired function by turning the thermostat knob to the corresponding position.
- Switch on the appliance by pressing the switch; the corresponding light will come on.
- Close the drawer.

Be careful not to use too much force when closing the drawer since it may open up again. Before taking out the warm crockery you must switch off the warming drawer by pressing the switch again.






3.4 Function Selection

The thermostat knob allows you to select temperatures between 30 and 80°C.

Do not force the thermostat knob to the left beyond the "0" position, or to the right beyond the maximum temperature, as this could damage it.

As soon as the selected temperature is reached, the heating element will turn off. When the temperature drops back below the selected value, the heating element will turn on again.

The temperature scale is marked with absolute temperatures in °C and also has symbols which correspond to the optimum temperatures for groups of crockery:

Symbol	°C (*)	Function	Warning
	30°C	Defrosting. Dough proving. Yoghurt fermentation.	- Cover the dough. Cover the tub.
	45°C	Warming cups and glasses.	-
	60°C	Warming dinner plates. Reheating delicate foodstuffs.	- Preheat the dish.
	70°C	Keeping foodstuffs warm.	Preheat the dish and cover the food.
	80°C	Reheating foodstuffs.	Preheat the dish.

* The temperatures refer to the drawer when empty and closed.

3.5 Heating times

Various factors affect heating times:

- The material and thickness of the crockery
- Load size
- How the crockery is arranged
- Temperature setting
- Repeated opening and closing of the drawer

It is therefore not possible to give precise heating times.

As you use the warming drawer regularly, you will learn the best settings for your crockery.

Suggestions for the “keep warm” and “reheat” function:

Preheat the warming drawer for 15 minutes to ensure it is at the required internal temperature.

4. CLEANING AND MAINTENANCE

Cleaning is the only maintenance activity that is generally required.



WARNING!

The warming drawer must be disconnected from the power supply before cleaning. Unplug the device from the socket or isolate its power supply circuit.

Do not use harsh or abrasive cleaning products, scouring pads/sponges or sharp objects, since this could cause stains or scratches.

Never use high pressure or steam jet cleaning appliances.

4.1 Appliance front and control panel

The warming drawer can be cleaned using just a damp cloth. If it is very dirty, add few drops of washing-up liquid to the water.

Wipe the surfaces dry using a dry cloth.

For stainless-steel fronted warming drawers, special products for stainless-steel surfaces can be used.

These products prevent the build-up of dirt on such surfaces. Apply a thin layer of this product on the surface using a soft cloth.

On aluminium fronted warming drawers, use a delicate glass cleaning product and a soft, lint-free cloth. Wipe horizontally without applying.

4.2 Interior of the warming drawer

Clean the interior of the warming drawer regularly using a damp cloth. If it is very dirty, add few drops of washing-up liquid to the water.

Wipe the surfaces dry using a dry cloth. Avoid water entering the air circulation opening.

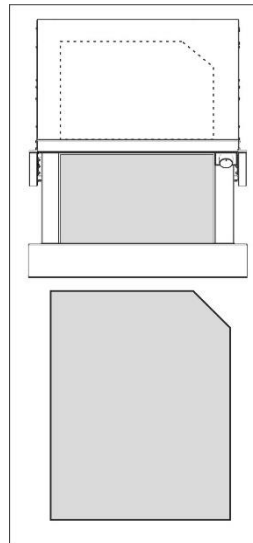
Only use the warming drawer again when it is completely dry.

Non-slip base

The non-slip surface mat can be removed to facilitate cleaning of the drawer.

The mat can be cleaned by hand using hot water with a few drops of washing-up liquid. Dry thoroughly.

The non-slip mat should only be replaced when it is completely dry.



5. WHAT SHOULD I DO IF THE WARMING DRAWER DOESN'T WORK?



WARNING!

Any repairs must only be performed by a specialised technician. Any repair performed by a person not authorised by the manufacturer is potentially dangerous.

However, the following faults can be resolved by the user without calling Technical Assistance.

Before contacting Technical Assistance, check on the following:

- **The crockery does not warm up sufficiently. Check whether:**
 - The appliance is on
 - The appropriate temperature has been selected
 - The air circulation orifices are blocked by the crockery
 - The crockery was left to warm up for sufficient time
- **Heating time depends on several factors, such as, for example:**
 - The material and thickness of the crockery
 - Load size
 - How the crockery is arranged
- **The crockery does not heat up at all. Check whether:**
 - You can hear the noise of the fan. If the fan is running, this means that the heating element is defective. If the fan is not running, this means that it is faulty
 - The fuse has blown or the circuit breaker has tripped
- **The crockery is too hot:**
 - The temperature selector is not working
- **The on/off switch does not light up:**
 - The switch indicator light has blown

6. INSTALLATION INSTRUCTIONS

6.1 Before installation

Check that the supply voltage indicated on the data plate is the same as that provided by the power socket you plan to use.

Open the drawer, take out all the accessories and remove the packaging material



WARNING!

The front surface of the warming drawer may be covered in a protective film. Carefully remove this film before using the warming drawer for the first time. Ensure that the warming drawer is not damaged in any way. Check that the drawer opens and closes correctly. If damage is encountered, inform Technical Assistance.



WARNING:

The power socket should be easily accessible after the warming drawer has been installed.

The warming drawer should only be installed in combination with the appliances specified by the manufacturer. If it is fitted in combination with other appliances, the guarantee will be void since it is impossible to guarantee that the warming drawer will work correctly.

6.2 Installation



Refer to the installation instructions supplied separately.

Installing the warming drawer in combination with another appliance requires be a fixed intermediate shelf in the carcass to support the weight of both appliances.

The appliance to be installed in combination with the warming drawer will be installed directly on top of it. Follow the instructions given in the corresponding instruction and installation booklet for installation of the combined appliance.

6.3 Electrical connection

Electrical installation must be performed by a qualified electrician.

Before connecting the warming drawer to the mains electricity supply, check that the voltage and frequency of the mains supply matches that shown on the data plate inside the appliance.

The electrical connection should be made via an omnipolar switch rated for the current capacity with minimum 3 mm contact separation, in order to provide isolation in emergencies or when cleaning the warming drawer.

The connection must be suitably earthed.



WARNING:

The warming drawer must be earthed.

If the appliance flex requires replacement, contact Technical Assistance or an authorised service centre, as specialised tools are required. The manufacturer and retailer do not accept responsibility for any injury to people or animals or damage to personal property as a result of failure to follow the supplied installation instructions.

7. ENVIRONMENTAL PROTECTION



Recycle materials with the following symbol.

Place the packaging in the corresponding containers for recycling. Help protect the environment and human health and to recycle waste from electrical and electronic appliances.



Do not dispose of appliances marked with the following symbol with general household waste. Take the product to your local recycling facility or contact your local council.

SOMMAIRE

1.	CONSIGNES DE SÉCURITÉ	15
2.	DESCRIPTION DE L'APPAREIL	20
3.	UTILISATION	21
4.	NETTOYAGE ET ENTRETIEN.....	23
5.	QUE FAIRE EN CAS DE MAUVAIS FONCTIONNEMENT ?.....	24
6.	INSTRUCTIONS POUR L'INSTALLATION	24
7.	PROTECTION DE L'ENVIRONNEMENT	25

NOUS PENSONS À VOUS

Merci d'avoir choisi ce produit Electrolux. Avec ce produit, vous bénéficiez de dizaines d'années d'expérience professionnelle et d'innovation. Ingénieux et élégant, il a été conçu sur mesure pour vous. Grâce à cet appareil, vous savez que chaque utilisation vous apportera satisfaction. Bienvenue chez Electrolux.

Visitez notre site Internet pour :



Obtenir des conseils d'utilisation, des brochures, de l'aide, des informations :
www.electrolux.com



Enregistrer votre produit pour obtenir un meilleur service :
www.electrolux.com/productregistration



Acheter des accessoires, consommables et pièces de rechange d'origine pour
Votre appareil :
www.electrolux.com/shop

SERVICE APRÈS-VENTE

N'utilisez que des pièces de rechange d'origine.

Avant de contacter le service, assurez-vous de disposer des informations suivantes. Vous trouverez ces informations sur la plaque signalétique. Modèle, PNC, numéro de série.



Avertissement/Attention: consignes de sécurité.



Informations générales et conseils.



Informations en matière de protection de l'environnement.

Sous réserve de modifications.

1. CONSIGNES DE SÉCURITÉ

Avant d'installer et d'utiliser cet appareil, lisez soigneusement les instructions fournies. Le fabricant ne peut être tenu pour responsable des dommages et blessures liés à une mauvaise installation ou utilisation. Conservez toujours cette notice avec votre appareil pour vous y référer ultérieurement. Votre appareil est aux normes de sécurité en vigueur. Une utilisation inadéquate peut constituer un danger pour l'utilisateur.

1.1 Sécurité des enfants et des personnes vulnérables



Avertissement !

Risque d'asphyxie, de blessure ou d'invalidité permanente.

- Cet appareil peut être utilisé par des enfants de plus de 8 ans, ainsi que des personnes dont les capacités physiques, sensorielles et mentales sont réduites ou dont les connaissances et l'expérience sont insuffisantes, à condition d'être surveillés par une personne responsable de leur sécurité.
- Ne laissez pas les enfants jouer avec l'appareil. Les enfants de moins de 3 ans ne doivent pas être laissés sans surveillance à proximité de l'appareil.
- Ne laissez pas les emballages à la portée des enfants.
- Tenez les enfants éloignés de l'appareil lorsqu'il est en cours de fonctionnement ou lorsqu'il refroidit. Les parties accessibles sont chaudes.
- Les enfants ne doivent pas nettoyer ni entreprendre une opération de maintenance sur l'appareil sans surveillance.
- L'appareil et son cordon d'alimentation doivent être conservés hors de portée des enfants âgés de moins de 8 ans.

1.2 Sécurité générale

L'intérieur de l'appareil devient chaud lorsqu'il est en fonctionnement. Ne touchez pas les éléments chauffants se trouvant dans l'appareil. Utilisez toujours des gants de cuisine pour retirer ou enfourner des accessoires ou des plats allant au four.

- Selon la température et le temps de fonctionnement sélectionnés, la température à l'intérieur de l'appareil peut monter jusqu'à 80 °C. Utilisez des gants de cuisine pour vous protéger les mains quand vous retirez la vaisselle de l'intérieur du chauffe-vaisselle.
- Prenez garde de ne pas le surcharger, cela endommagerait les rails télescopiques. Le tiroir peut supporter un poids maximum de 15 kg.
- Les récipients et objets synthétiques ou qui prennent facilement feu ne doivent pas être rangés dans le chauffe-vaisselle. Si l'appareil est mis en marche, ils peuvent fondre ou brûler. Danger d'incendie.
- N'utilisez pas votre appareil comme chauffage de maison. Les hautes températures peuvent mettre le feu à des objets facilement inflammables situés près de l'appareil.
- Quand vous cessez définitivement d'utiliser l'appareil, à la fin de sa vie utile, débranchez-le du réseau et éliminez le câble électrique pour éviter le danger que les enfants s'en servent pour s'amuser.

1.3 Installation

- Reportez-vous aux instructions d'installation fournies séparément.
- La protection contre les contacts directs doit être assurée par le mode d'intégration

- Le système électrique doit être équipé d'un moyen de déconnexion, avec une séparation de contact sur tous les pôles assurant une coupure complète de la catégorie de surtension III.
- Le raccordement électrique doit être effectué au moyen d'une prise qui doit être accessible après l'installation.
- ⚠ Attention ! Avant de brancher l'appareil, comparez-en les données (tension et fréquence) indiquées sur la plaque des caractéristiques avec celles de votre réseau électrique. Elles doivent correspondre, pour éviter tout problème. En cas de doute, appelez un électricien.
- ⚠ Attention ! Dans le cas d'un câble sans prise, elle doit être installée et raccordée par un électricien spécialisé. Adressez-vous à un électricien attitré qui respecte les normes de sécurité et qui effectue les travaux conformément aux mêmes instructions et à toutes les instructions contenues dans ce manuel. La responsabilité du fabricant n'est pas engagée pour des dommages provenant d'une erreur de montage ou de branchement.
- ⚠ Attention ! La sécurité électrique de l'appareil n'est assurée que s'il est relié à la terre. La responsabilité du fabricant n'est pas engagée pour des dommages provenant d'un manque ou d'un défaut du système de protection de l'installation (choc électrique par exemple).
- ⚠ Attention ! Ne mettez l'appareil en marche qu'une fois celui-ci dûment encastré, car c'est la seule façon d'interdire l'accès aux composants électriques.

- ⚠ ATTENTION ! N'ouvrez jamais la structure de l'appareil. D'éventuels contacts avec les pièces conductrices ou modifications des composants électriques ou mécaniques peuvent constituer un danger pour la sécurité de l'utilisateur et perturber le bon fonctionnement de l'appareil.

1.4 Nettoyage

- N'utilisez pas de produits abrasifs ni de racloirs pointus en métal pour nettoyer la porte en verre car ils peuvent rayer sa surface, ce qui peut briser le verre.
- N'utilisez pas de nettoyeur vapeur pour nettoyer l'appareil.
- N'utilisez pas d'appareils de nettoyage à haute pression ou qui projettent de la vapeur. La vapeur peut atteindre les composants électriques et provoquer un court-circuit. La pression de la vapeur peut aussi endommager durablement la surface de l'appareil et ses composants.

1.5 Réparation

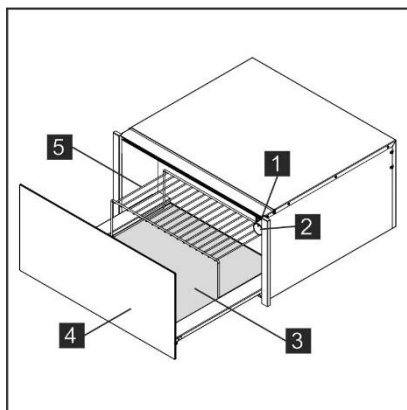
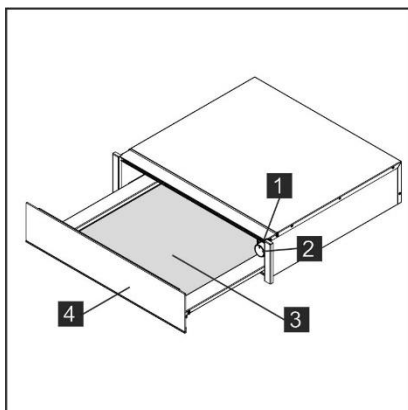
- Si le câble d'alimentation est endommagé, il ne doit être remplacé que par un professionnel qualifié afin d'éviter tout danger.
- ⚠ Attention ! Avant toute opération de maintenance, déconnectez l'alimentation électrique. Pour que l'appareil soit débranché, vous devez constater l'une des conditions suivantes :
 - Les fusibles/disjoncteur du tableau électrique sont débranchés.
 - L'appareil est débranché de la prise murale, ce qui doit être fait en tirant sur la prise de l'appareil et non sur le câble électrique.

- ⚠ Attention ! Les réparations et entretiens, tout particulièrement sur les pièces sous tension, ne peuvent être effectués que par des techniciens agréés par le fabricant. Le fabricant et les revendeurs déclinent toute responsabilité pour d'éventuels dommages, causés aux personnes, aux animaux ou aux biens, qui découlent de réparations ou entretiens effectués par des personnes non autorisées.
- ⚠ Attention ! Les réparations au cours de la période de garantie ne doivent être exécutées que par des techniciens agréés par le fabricant. Dans le cas contraire, tout dommage provenant de ces réparations est exclu de la garantie.

2. DESCRIPTION DE L'APPAREIL

2.1 Composants principaux

- | | |
|--|---|
| 1 Interrupteur et voyant lumineux
Marche/Arrêt | 4 Panneau frontal avec
mécanisme de poussée ou
poignée |
| 2 Thermostat | 5 Grille de support (selon le
modèle) |
| 3 Revêtement antidérapant | |



2.2 Principe de fonctionnement

Votre appareil est équipé d'un système de circulation d'air chaud. Un ventilateur distribue la chaleur, générée par une résistance électrique, dans tout l'intérieur de l'appareil.

Le thermostat permet de définir et de contrôler la température souhaitée pour la vaisselle.

La circulation de l'air chaud fait que la vaisselle est chauffée rapidement et uniformément.

La résistance ainsi que le ventilateur sont protégés par une grille métallique.

La base du tiroir est équipée d'un revêtement antidérapant pour empêcher la vaisselle de glisser quand vous ouvrez ou fermez le tiroir.

3. UTILISATION

3.1 Avant la première utilisation

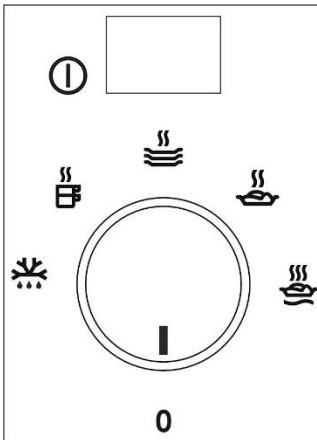
Avant d'utiliser l'appareil pour la première fois, vous devez en laver l'intérieur et l'extérieur en suivant les indications sur le nettoyage figurant au chapitre « Nettoyage et entretien ».

Enlevez la base antidérapante.

Ensuite, chauffez le chauffe-vaisselle pendant au moins 2 heures en tournant le sélecteur de température sur la position maximum (consultez le chapitre « Sélectionner la température »).

Veillez à aérer correctement la cuisine. Les pièces de l'appareil sont protégées par un produit spécial qui peut éventuellement lors de la première mise en marche, dégager une odeur et un peu de fumée qui disparaissent très vite. Ni l'une ni l'autre ne constituent une anomalie de fonctionnement de l'appareil.

3.2 Tableau de commandes



Le tableau de commandes comporte un thermostat et un bouton marche/arrêt. Le

tableau de commandes n'est visible que lorsque le tiroir est ouvert.

3.3 Principe d'utilisation

Pour utiliser le chauffe-vaisselle, procédez de la façon suivante :

- Placez la vaisselle dans le tiroir.
- Évitez de placer les plateaux de chargement verticalement devant les fentes d'aération.
L'air chaud ne sortirait pas complètement des fentes. La vaisselle ne serait pas chauffée uniformément.
- Sélectionnez la fonction en tournant le thermostat sur la position désirée.
- Mettez l'appareil en marche en appuyant sur l'interrupteur dont le voyant s'allume.
- Fermez le tiroir.

Prenez garde que le tiroir peut se rouvrir si vous le fermez trop fort. Avant de retirer la vaisselle chaude, vous devez éteindre le chauffe-vaisselle en appuyant de nouveau sur l'interrupteur.






3.4 Sélectionner la fonction

Vous pouvez sélectionner des températures entre 30 et 80 °C en tournant le thermostat.

Ne forcez pas le bouton du thermostat, ni vers la gauche de la position « 0 » ni vers la droite de la position maximum, car cela pourrait le détériorer.

Dès que la température sélectionnée est atteinte, le chauffage s'éteint. Il se rallume automatiquement si la température redescend.

Les températures absolues en °C et des symboles sont indiqués sur le Tableau de Commandes. Ils correspondent à la température optimisée pour un groupe de vaisselle:

Symbole	°C (*)	Fonction	Avertissement
	30°C	Décongélation. Levage des pâtes. Fermentation du yaourt.	- Couvrez la pâte. Couvrez le pot.
	45°C	Chauffage des verres et tasses.	-
	60°C	Chauffage de la vaisselle. Chauffer les aliments en douceur.	- Préchauffez l'assiette.
	70°C	Gardez les aliments au chaud.	Préchauffez l'assiette et couvrir le plat.
	80°C	Chauffage des aliments.	Préchauffez l'assiette.

* Les températures se rapportent au tiroir vide et fermé.

3.5 Temps de chauffage

Le temps de chauffage dépend de plusieurs facteurs :

- Matériel et épaisseur de la vaisselle ;
- Quantité de charge ;
- Disposition de la vaisselle ;
- Température sélectionnée.
- ouverture et fermeture répétées du tiroir.

Il est dès lors impossible d'indiquer des temps de chauffage rigoureusement exacts.

La pratique vous aidera à sélectionner les temps appropriés à votre vaisselle.

Conseils pour « garder les aliments au chaud » et « chauffer les aliments » :

Chauffez le tiroir pendant 15 minutes afin de vous assurer que la température nécessaire soit atteinte.

4. NETTOYAGE ET ENTRETIEN

Le nettoyage est l'unique entretien normalement nécessaire.



ATTENTION !

Le nettoyage doit être effectué quand le chauffe-vaisselle est débranché de l'alimentation électrique. Retirez la prise du mur ou débranchez le circuit d'alimentation du chauffe-vaisselle.

N'utilisez pas de produits de nettoyage agressifs ou abrasifs, ni frottoirs ni objets pointus qui peuvent provoquer des rayures.

N'utilisez pas d'appareils de nettoyage à haute pression ou qui projettent de la vapeur.

4.1 Partie avant de l'appareil et tableau de commandes

Il suffit de nettoyer la chauffe-vaisselle avec un chiffon humide. S'il est très sale, ajoutez quelques gouttes de produit vaisselle à l'eau de lavage.

Essuyez ensuite les surfaces avec un chiffon sec.

Les chauffe-vaisselle dont l'avant est en acier inoxydable peuvent être nettoyés avec des produits spéciaux pour ce type de surface.

Ces produits évitent que les surfaces ne se resalissent rapidement. Appliquez une fine couche de produit sur toute la surface avec un chiffon doux.

Les chauffe-vaisselle dont l'avant est en aluminium peuvent être nettoyés avec un produit léger pour les vitres et un chiffon doux qui ne laisse pas de fibres. Nettoyez dans le sens horizontal sans appuyer car l'aluminium est un métal mou qui se raye ou se coupe facilement.

4.2 Intérieur du chauffe-vaisselle

Nettoyez régulièrement l'intérieur du chauffe-vaisselle avec un chiffon humide. S'il est très sale, ajoutez quelques gouttes de produit vaisselle à l'eau de lavage.

Nettoyez ensuite les surfaces avec un chiffon sec.

Évitez de faire entrer de l'eau dans les orifices par où circule l'air.

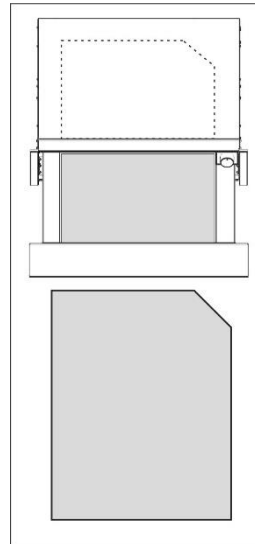
Attendez que votre chauffe-vaisselle soit bien sec avant de le réutiliser.

Revêtement antidérapant

Vous pouvez retirer le revêtement antidérapant pour nettoyer plus facilement le tiroir.

Le revêtement peut être lavé à la main avec de l'eau chaude et quelques gouttes de produit vaisselle. Séchez-le bien pour finir.

Vous ne devez remettre en place le revêtement antidérapant que lorsque le tiroir est bien sec.



5. QUE FAIRE EN CAS DE MAUVAIS FONCTIONNEMENT ?



ATTENTION !

Seuls des techniciens spécialisés sont à même d'effectuer les réparations, de quelque type que ce soit. Toute réparation effectuée par des personnes non agréées par le fabricant est dangereuse.

Les dysfonctionnements suivants peuvent être éliminés par l'utilisateur sans l'assistance technique.

Avant d'appeler l'assistance technique, vérifiez les cas suivants :

- **La vaisselle ne chauffe pas suffisamment ? Vérifiez les points suivants :**
 - L'appareil est bien branché et en marche.
 - Vous avez sélectionné la température adéquate.
 - Les orifices par où circule l'air sont obstrués par de la vaisselle.
 - La vaisselle a chauffé pendant un temps suffisant ?
- **Le temps de chauffage dépend de divers facteurs, en particulier :**
 - Matière et épaisseur de la vaisselle.
 - Quantité de vaisselle.
 - Rangement et disposition de la vaisselle.
- **La vaisselle ne chauffe pas ? Vérifiez les points suivants :**
 - Le ventilateur fonctionne (il fait du bruit). C'est peut-être alors la résistance qui est en panne. Si le ventilateur ne fait pas de bruit, c'est lui qui doit être en panne.
 - Les plombs ont sauté ou le tableau électrique a disjoncté.
- **La vaisselle est trop chaude ?**
 - Le sélecteur de température ne marche pas correctement.
- **L'interrupteur marche/arrêt ne s'allume pas ?**
 - Le pilote de l'interrupteur a fondu.

6. INSTRUCTIONS POUR L'INSTALLATION

6.1 Avant l'installation

Vérifiez que la tension d'alimentation de l'appareil, indiquée sur la plaque des caractéristiques, correspond à celle de votre installation.

Vérifiez que la tension d'alimentation de l'appareil, indiquée sur la plaque des caractéristiques, correspond à celle de votre installation.



ATTENTION !

Le devant du chauffe-vaisselle peut être enveloppé d'une pellicule de protection. Retirez soigneusement cette pellicule avant la première utilisation.

Vérifiez que le chauffe-vaisselle n'est pas endommagé. Assurez-vous que le tiroir s'ouvre et se ferme correctement. En cas

de détérioration, appelez le Service d'assistance technique.



ATTENTION :

La prise de courant doit rester facilement accessible après l'installation du chauffe-vaisselle.

Le chauffe-vaisselle ne peut être encastré et combiné qu'avec les appareils indiqués par le fabricant. La garantie n'est pas valable s'il est monté et combiné avec d'autres appareils, car il n'est alors pas possible de garantir un fonctionnement correct.

6.2 Installation



Reportez-vous aux instructions d'installation fournies séparément.

Pour encastrer le chauffe-vaisselle et le combiner avec un autre appareil, vous devez utiliser une étagère intermédiaire fixe, capable de supporter le poids des deux appareils.

L'appareil combiné avec le chauffe-vaisselle devra être placé directement sur le chauffe-vaisselle. Une étagère de séparation n'est pas nécessaire. Pour encastrer l'appareil combiné avec le chauffe-vaisselle, suivez les indications figurant dans le manuel d'instructions et de montage de cet appareil.



ATTENTION :

Le chauffe-vaisselle doit être relié à la terre.

Si le câble d'alimentation flexible du chauffe-vaisselle a besoin d'être changé, l'opération doit être réalisée par un employé du service après-vente car des outils particuliers sont nécessaires. Le fabricant et les revendeurs déclinent toute responsabilité en cas de dommages provoqués par des personnes, des animaux ou des objets lorsque les instructions d'installation ne sont pas respectées.

6.3 Branchement électrique

L'installation électrique doit être réalisée par un électricien qualifié et respecter la législation en vigueur.

Avant de brancher le chauffe-vaisselle sur secteur, assurez-vous que la tension et la fréquence du secteur correspond à ceux indiqués sur la plaque signalétique se trouvant à l'intérieur du bloc chauffant. Le branchement électrique s'effectue avec un interrupteur omnipolaire approprié pour tolérer l'intensité et présentant un espacement minimum de 3 mm entre ses éléments de contact, ceci afin d'assurer le découplage en cas d'urgence ou lors de du nettoyage du chauffe-vaisselle.

Le branchement doit disposer d'une prise de terre adéquate et répondant aux normes actuelles.

7. PROTECTION DE L'ENVIRONNEMENT



Recyclez les matériaux portant le symbole. Déposez les emballages dans les conteneurs prévus à cet effet. Contribuez à la protection de l'environnement et à votre sécurité, recyclez vos produits électriques et électroniques.



Ne jetez pas les appareils portant le symbole avec les ordures ménagères. Emmenez un tel produit dans votre centre local de recyclage ou contactez vos services municipaux.

目录

1.	安全信息.....	27
2.	电器描述.....	30
3.	使用.....	31
4.	清洁和保养.....	33
5.	如果保温抽屉出现故障，该怎么办？.....	34
6.	安装说明.....	34
7.	环境保护.....	35
8.	维修服务指南.....	36

想您所想

感谢您购选 Electrolux 电器。您选择的产品蕴含着我们数十年的专业经验和创新。电器拥有精巧时尚的外观和体贴周到的设计。每次使用时，都可安心畅享其超凡效果。欢迎来到 Electrolux 的世界。

请访问我们的网站以：



获取使用建议、手册、故障排除和维修服务信息：

www.electrolux.com



如需获得更好的服务，请注册您的产品：

www.electrolux.com/productregistration



要购买适用于您的电器的配件、耗材和原厂备件，请访问：

www.electrolux.com/shop

客户关怀与服务

我们建议使用原厂备件。

联系服务人员时，请确保提供下列信息。

您可在铭牌上找到这些信息。型号、PNC 和序列号。



警告/安全警示信息。



一般信息和温馨提示。



环保信息。

如有变更，恕不另行通知。

1. 安全信息

在安装和使用本设备前，请仔细阅读本说明书。对于因设备安装有误和使用不当所造成的伤害和损失，制造商不承担任何责任。请妥善保管本说明书，以便在使用设备过程中随时参阅。本电器符合现行安全标准。不当使用本电器可能危及用户安全。

1.1 儿童和弱势成人的安全



存在令人窒息、受伤及永久残疾的危险。

- 对于 8 岁及以上的儿童，存在身体缺陷、感官或精神障碍或缺乏相关经验及知识的人员，仅应在得到安全使用本电器的指导和监督并了解所涉及危害的情况下进行使用。
- 儿童不得玩耍本电器。请确保 3 岁以下儿童远离本电器。
- 请将包装材料放在远离儿童的地方。
- 请确保在电器运行或冷却期间儿童和宠物远离本电器。接触零件高温炙热。
- 儿童不得在没有监督的情况下清洁和维护本电器。
- 请确保 8 岁以下儿童远离接触零件和电线。

1.2 一般安全警告

电器在使用过程中会变热。请小心，避免触碰电器内部加热元件。放入或取出餐具时始终使用烤箱隔热手套。

- 电器内的温度可能会达到 80 °C，具体取决于所选温度和运行时间。从餐具加热器中取出餐具时，请使用烤箱隔热手套或烤箱耐热布来保护双手。
- 请勿坐在或靠在保温抽屉上。这会损坏伸缩滑轨。保温抽屉的最大承重量为 15 kg。
- 请勿将合成材料容器或易燃物品装入餐具加热器。开启本电器后，此类容器或物品可能熔化或起火。火灾危险！
- 请勿使用本电器升高厨房室温。达到的高温可能引燃本电器附近的易燃物品。
- 当本电器达到使用寿命而您已停止使用时，请断开本电器的电源，然后处理电缆使其无法使用，以免儿童玩耍等带来危险。

1.3 安装

- 安装期间，请遵守各部分的说明。
- 安装时，必须不得直接接触带电部件。
- 电气系统必须配备断开装置，并提供全极触点间隙，从而在 III 类过电压下实现完全断开。
- 必须使用插头进行电气连接；须确保安装后插头可用。
- **⚠警告！**连接本电器前，请比较电器铭牌上标识的电源数据（电压和频率）和待连接电源的相应数据。如果这些数据不匹配，则可能出现問題。如有任何疑问，请联系电气技师。
- **⚠警告！**如果电线插头（硬接线）已卸下，则必须由相关技师安装和连接本电器。请联系遵守电气规范并遵循本手册所有规定的合格电气技师。对于因安装或连接有误而造成的任何损害，制造商不承担任何责任。

- **⚠警告！** 只有将本电器正确接地，才能保障电气安全。对于因未安装本电器的接地保护系统或安装有误所引起的损害（如电击），制造商不承担任何责任。
- **⚠警告！** 只有将本电器完全安装才方可进行使用。只有将本电器最终完全安装于厨具组柜中才可保证无接触带电部件危险。
- **⚠警告！** 请勿拆开本电器的外壳。接触导电部件或变更电气或机械部件可能危及用户安全并妨碍电器的正常运行。

1.4 清洁

- 请勿使用粗糙磨砂型清洁剂或尖锐的金属刮刀/钢丝球来清洁本电器，因为它们会在电器表面造成划痕。
- 请勿使用蒸汽清洁器来清洁本电器。
- 请勿使用高压或蒸汽喷流清洁装置。蒸汽可能影响电气部件并导致短路。蒸汽长时间聚积所产生的压力也可能导致电器表面损伤和各部件损坏。

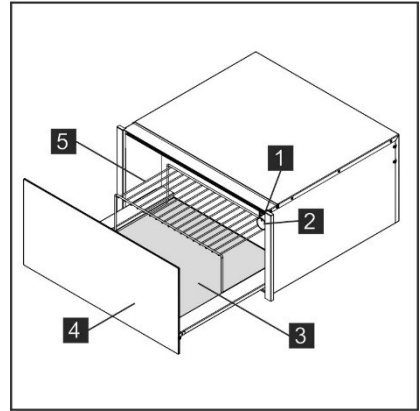
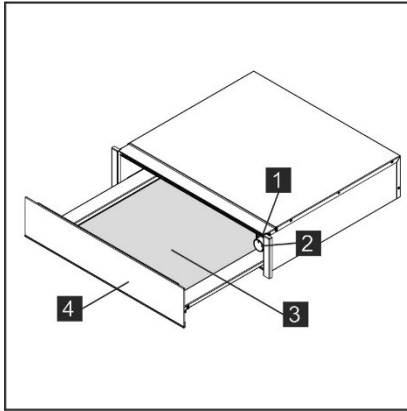
1.5 维修

- 如电器电源线损坏，则必须由制造商、授权技术人员或合格电气技师更换，以避免造成任何潜在危险。
- **⚠警告！** 安装或维修过程中，必须切断本电器的供电。为切断本电器的供电，必须满足下列条件之一：
 - - 配电盘熔断器/断路器必须断开。
 - - 插头必须从插座上拔下。从插座上拔下插头时，请直接握住插头拔出，切勿拉扯电源线。
- **⚠警告！** 维修和维护工作（尤其是涉及带电部件时）必须由制造商授权的电气技师执行。对于因非授权人员执行维修和维护工作所引起的任何人员、动物或财产损失，制造商和零售商不承担任何责任。
- **⚠警告！** 保修期内进行的维修工作必须由制造商授权的技师执行。否则，由相关维修引起的任何损坏均不在保修范围之内。

2. 电器描述

2.1 主要部件

- 1** On/Off 开关及控制灯
- 2** 恒温器
- 3** 防滑垫
- 4** 前面板（配有推挽装置或手柄）
- 5** 烤架（适配型号）



2.2 保温抽屉工作原理

本电器配有热空气循环系统。风扇会将电热元件产生的热量输送至电器内部各处。恒温器可用于设定并控制餐具需要达到的温度。产生的循环流动热空气可快速均匀地加热餐具。

金属格栅可保护加热元件及风扇。保温抽屉底部装有防滑垫，可防止碟盘在保温抽屉打开和关闭时来回滑动。

3. 使用

3.1 首次使用前

首次使用前，应按照“清洁和维护”一节中给出的说明来清洁电器内部和外部。

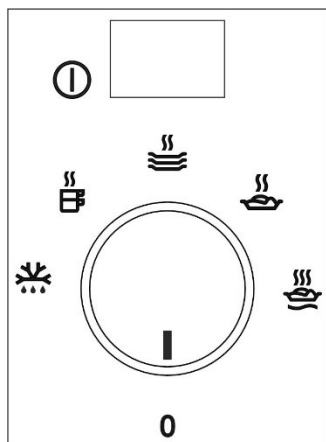
取下防滑底座。

然后将保温抽屉加热至少 2 个小时。为此，请将温度控制旋钮调至最大位置（请参阅“选择温度”一节）。

进行此项操作时请确保厨房通风良好。

电器部件采用了专门的产品进行保护。因此，在首次加热期间将有气味放出。短暂时间过后，产生的气味和烟雾将消失，上述现象均不代表存在任何连接错误或电器故障。

3.2 控制面板



控制面板上有选择钮和 on/off 开关。只能在打开保温抽屉时看到控制面板。

3.3 使用保温抽屉

要使用保温抽屉，请按照如下步骤进行操作：

- 将餐具放入保温抽屉
- 请勿在散热孔前垂直放置餐盘。否则热气将无法完全由散热孔散出。这将导致加热不均。
- 通过旋转恒温器控制旋钮到合适位置来选择所需功能。
- 按下开关来开启本电器，开关随即亮起。
- 关上抽屉。






请注意，关闭保温抽屉时不要用力过猛，以免它再次弹开。取出加热好的餐具前，必须再次按下开关以关闭保温抽屉。

3.4 选择功能

通过旋转恒温器控制旋钮，您可以选择 30 到 80 °C 之间的温度。

请勿强行将恒温器控制旋转到“0”位置以左或最大位置以右，以免损坏本电器。

达到所选温度后，将停止加热。当温度下降到所选温度以下时，将再次开始加热。温标刻有绝对温度（单位：°C）以及及各种餐具的最佳温度对应的符号：

符号	° C (*)	功能	警告
	30° C	解冻 发面 发酵酸奶	- 盖好面团 盖好容器
	45° C	茶杯/玻璃杯加热	-
	60° C	餐具加热 美食加热	- 餐盘预热
	70° C	食物保温	餐盘预热，封盖食物
	80° C	食物加热	餐盘预热

*抽屉空置及关闭时的建议温度。

3.5 加热时间

影响加热时间的各种因素：

- 餐具材质及厚度
- 装载量
- 餐具摆放方式
- 温度设置
- 重复开关抽屉

因此无法给出确切的加热时间。

随着您使用保温抽屉的次数越来越多，您将了解到适合您餐具的最佳设置。

食物保温和食物加热功能的建议：

将保温抽屉预热 15 分钟，以确保其内部达到所需温度。

4. 清洁和保养

清洁是日常所需的唯一保养工作。

警告！

清洁前必须断开保温抽屉电源。从电源插座拔下插头或断开其供电电路。

请勿使用刺激性或磨砂型清洁剂、磨砂型海绵或尖锐物体进行清洁，以免造成掉色或产生划痕。

请勿使用高压或蒸汽喷流清洁设备。

防滑垫

可撤掉防滑垫以便于清洁保温抽屉。可在热水中加入几滴洗洁精来手洗防滑垫。彻底晾干。

仅当防滑垫彻底晾干后才可将其放回本电器。

4.1 电器前面板和控制面板

仅可使用湿布来清洁保温抽屉。如果设备较脏，可在清洗用水中加入几滴洗洁精。之后用干布擦干电器表面。

对于前面板采用不锈钢材质的保温抽屉，可使用专用于处理不锈钢表面的产品。

此类产品可在一定时间内防止表面再次变脏。用软布在表面涂上薄薄一层此类产品。

对于前面板采用铝材质的保温抽屉，请使用温和的玻璃清洁剂和不起毛的软布。请水平擦拭，切勿按压表面。

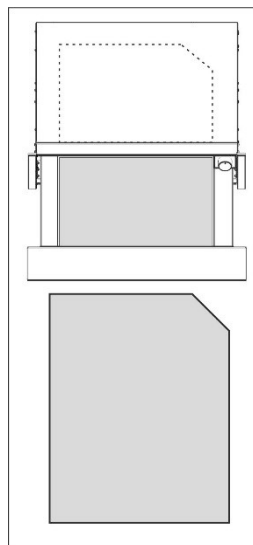
4.2 电热保温抽屉内部

请用湿布定期清洁保温抽屉内部。如果设备较脏，可在清洗用水中加入几滴洗洁精。

之后用干布擦干电器表面。

避免水进入空气循环口。

只有当电器完全干燥后才可再次使用。



5. 如果保温抽屉出现故障，该怎么办？



警告！

任何类型的维修必须由专业技师进行。由非制造商授权的人员进行任何维修都会带来危险。

然而，下述问题可由用户自行解决，而无需联系技术支持。

联系技术支持前，请检查下列各项：

• 餐具无法充分加热。检查是否：

- 已开启本电器
- 已选择合适的温度
- 空气循环口被餐具挡住。
- 有足够的时间对餐具进行加热。

• 加热时间取决于若干因素，例如：

- 餐具材质及厚度
- 装载量
- 餐具摆放方式

• 餐具完全无法加热。检查是否：

- 可以听到风扇的噪声。如果风扇正在运转，则表明加热元件损坏。如果风扇没有运转，则表明风扇损坏。
- 熔断器/断路器已经熔断/断路。

• 餐具过度加热：

- 温度选择旋钮损坏。

• On/off 开关未亮起：

- 开关的指示灯损坏。

6. 安装说明

6.1 安装前

检查输入电压，确保铭牌上标注的输入电压与即将使用的电源的输出电压相同。

打开保温抽屉，取出所有配件并拆下包装材料。



警告！

保温抽屉的前面板可能贴有保护膜。首次使用本保温抽屉之前，请小心揭下该保护膜。

确保保温抽屉未受任何损坏。请检查保温抽屉能否正常打开和关闭。如发现有任何损坏，请联系技术支持服务人员。




警告：

保温抽屉安装完成后，电源插座应便于使用。

本保温抽屉只能与制造商指定的电器组合在一起。若将保温抽屉与其他电器组合在一起，则保修不再有效，因为无法保证保温抽屉能够正常工作。

6.2 安装

 请参阅单独提供的安装指南。

要将保温抽屉和其他电器组合在一起，安置空间内必须有固定的中间托架，以支撑两个电器的总重量。

要与保温抽屉组合在一起的电器可直接安放于其上。

如需安置与保温抽屉组合的电器，请遵照相应说明书和安装手册中的说明。

6.3 电气连接

电气安装工作必须由合格电气技师根据现行法规执行。

将保温抽屉连接至电源前，请检查电源的电压和频率是否与加热组件内部铭牌所示相一致。

电气连接由全极开关控制，此开关能够适应耐受的工作强度，并且触点间最小间距为 3mm，这可确保在紧急情况下或清洗保温抽屉时断开连接。

电气连接正确接地。



警告：
保温抽屉必须接地。

如果连接至电器的柔性电源电缆需要更换，则应由官方售后服务部门予以更换，因为操作中需要使用特殊工具。对于因不遵守安装说明所引起的任何人员、动物或财产损失，制造商和零售商不承担任何责任。

7. 环境保护



带有下述标识的为可回收材料。
将包装放入相应容器中以便回收。
回收电气及电器废物，助力保护环境与人类健康。



请勿将带有以下标识的电器与一般生活垃圾等同处理。将产品运至当地废品回收站或联系当地政府。

8. 维修服务指南

伊莱克斯家用电器“三包”标准

为保证使用伊莱克斯家用电器的消费者获得满意的售后服务，本公司将严格按照《中华人民共和国消费者权益保护法》、《中华人民共和国产品质量法》、《部分商品修理更换退货责任规定》等法律法规

提供修理、更换、退货（简称“三包”）服务。

一、在“三包”有效期内，产品享受免费修理（包括材料费和工时费）；各产品的整机及主要部件的三包有效期如下：

名称	三包有效期(年)		主要部件名称
	整机	主要部件	
电冰箱/红酒柜	1	3	压缩机，温控器，风扇电机，电磁阀，蒸发器，冷凝器，毛细管，过滤器，温控电路板，温度传感器
洗衣机/干衣机	1	3	电机，定时器，程控器，电容器，主控板，电机驱动板
空调	1	3	压缩机，风扇电机，温控器
吸油烟机	1	3	电机，主控板（含弱电和强电部分）
消毒柜	1	3	主控板，紫外线灯管，光波管，风机组件，门锁
燃气灶	1	3	燃气阀组件（阀体，电磁安全阀，热电偶，微动开关等），玻璃台面
嵌入式电灶	1	3	主控板，加热丝，温控装置
微波炉	1	2	主控板，电机，磁控管，定时器
嵌入式咖啡机	1	-	-
嵌入式烤箱/蒸箱	1	-	-
洗碗机	1	3	主控板，洗涤剂泵，加热器
暖灯/暖抽/ 真空抽屉	1	-	-

二、“三包”有效期自开具发票之日起计算。若产品实际交付时间晚于发票开具时间的，则“三包”有效期自实际交付日起计算。消费者享受“三包”应提供相应凭证，如：发票、收货凭证等。

三、对于为社会集团消费和生产消费购买的家用电器用户，其整机及主要部件“三包”有效期均为六个月。

四、本公司降价销售有外观瑕疵但不影响正常使用的家用电器，对其降价部位不再实行“三包”责任。

五、下列情况，不属于“三包”范畴之列，但可实行收费修理：

- ◆ 消费者搬运、安装、使用、维护、保管不当而损坏的。
- ◆ 自行或非经本公司授权维修中心拆修而造成损坏的。
- ◆ 无“三包”凭证及有效发票的。
- ◆ “三包”凭证型号与修理产品型号不符或涂改的。
- ◆ 因不可抗力造成产品损坏的。

伊莱克斯服务热线：95105801

注意：本公司服务网络的名称、地址、邮编、电话、传真如有改动，本公司恕不另行通知并保留最终解释权。

产品保修卡

顾客信息

购买日期		发票号码	
顾客姓名		联系电话	
顾客地址及邮编			
产品名称		产品代码(PNC)	
产品型号		产品机号	
销售店名称		销售店电话	

维修记录

维修站名称 _____ 送修日 _____

故障内容 _____

故障原因 _____

维修内容 _____

维修技师签字 _____ 交验日期 _____

维修站名称 _____ 送修日 _____

故障内容 _____

故障原因 _____

维修内容 _____

维修技师签字 _____ 交验日期 _____

维修站名称 _____ 送修日 _____

故障内容 _____

故障原因 _____

维修内容 _____

维修技师签字 _____ 交验日期 _____

伊莱克斯(中国)电器有限公司

全国统一服务热线：95105801

伊莱克斯官方网站：<http://www.electrolux.com.cn>

المحتويات

39.....	معلومات السلامة	1.
42.....	وصف الجهاز	2.
43.....	الاستخدام	3.
45.....	التنظيف والصيانة	4.
46.....	ما الذي ينبغي فعله إذا لم يعمل درج التسخين؟	5.
46.....	تعليمات التركيب	6.
47.....	حماية البيئة	7.

منتج مصمم خصيصاً لك

نشكرك على شراء أحد أجهزة Electrolux. لقد اخترت منتجاً يتميز بعقود من الخبرة والابتكار الاحترافي. فهو مبتكر وأنيق ومصمم خصيصاً لتلبية احتياجاتك الخاصة. عند استخدامك له، ستشعر بالأمان لأنك ستحصل على نتائج رائعة في كل مرة. مرحباً بك مع Electrolux.

زوروا موقعنا عبر الانترنت للتمتع بالخدمات التالية:
الحصول علي نصائح الاستخدام والكتيبات ومستكشف الاخطاء ومصلحها
ومعلومات الخدمة:



www.electrolux.com

تسجيل المنتج للحصول علي خدمة أفضل:

www.electrolux.com/productregistration



شراء الملحقات والمواد الاستهلاكية وقطع الغيار الاصلية الخاصة بالجهاز:

www.electrolux.com/shop



العناية وخدمة العملاء
نوصيك باستخدام قطع الغيار الاصلية.
وعند الاتصال بمركز الخدمة، تأكد من توافر البيانات التالية
يمكن العثور علي هذه المعلومات علي لوحة بيانات الجهاز. الطراز ورقم المنتج و
الرقم المسلسل.

تحذير/تنبيه - معلومات السلامة

معلومات ونصائح عامة

معلومات بيئية.

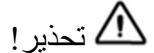


تخضع للتغيير دون إخطار.

1. معلومات السلامة

يرجى قراءة التعليمات بعناية قبل تركيب الجهاز واستخدامه. كما أن الشركة المصنعة غير مسؤولة عن التركيب غير السليم واستخدام الجهاز الذي قد يتسبب في وقوع إصابات وأضرار. احتفظ دائماً بالإرشادات الموجودة في متناول يدك، حيث يمكنك الرجوع إليها بسهولة أثناء الاستخدام. يتوافق هذا الجهاز مع معايير السلامة المعمول بها. قد يؤدي الاستخدام غير السليم للجهاز إلى تعريض المستخدمين والمارة والممتلكات للخطر.

1.1 سلامة الأطفال وكبار السن



تحذير!

خطر الاختناق أو الإصابة أو العجز الدائم.

- يمكن للأطفال الذين تبلغ أعمارهم 8 سنوات وأكثر والأشخاص ذوي القدرة الجسدية أو العقلية أو الحسية المحدودة أو ممن ليس لديهم خبرة أو معرفة استخدام الأجهزة إذا كان ذلك تحت إشراف البالغين أو بعد تلقيهم تعليمات الاستخدام الآمن للجهاز وتفهمهم للمخاطر المرتبطة باستخدامه.
- لا ينبغي أن يعيب الأطفال بالجهاز. حافظ على مواد التعبئة والتغليف بعيداً عن متناول الأطفال الذين تقل أعمارهم عن ثلاث سنوات.
- حافظ على مواد التعبئة والتغليف بعيداً عن متناول الأطفال.
- حافظ على الأطفال والحيوانات الأليفة بعيداً عن الجهاز أثناء التشغيل أو عند التبريد. حيث ترتفع درجة حرارة أجزائه التي يمكن الوصول إليها بشدة.
- لا ينبغي تنظيف الجهاز وصيانته من قبل الأطفال بدون إشراف.
- أبقِ الجهاز وكرهه بعيداً عن متناول الأطفال الذين تقل أعمارهم عن ثمان سنوات.

1.2 تحذيرات السلامة العامة

يصحح الجهاز ساخناً أثناء الاستخدام. فتوخَّ الحذر لتجنب ملامسة عناصر التسخين داخل الجهاز. استخدم دائماً قفازات الفرن لإدخال الملحقات أو أواني الطهي المقاومة للفرن أو إخراجها.

- اعتماداً على درجة الحرارة عند التشغيل، قد تصل درجة الحرارة داخل الجهاز إلى 80 درجة مئوية. ولإخراج الأواني من حجرة تدفئة الأواني احمى يديك باستخدام قفازات الفرن أو منشفة الصحون.
- تجنب الجلوس أو الاتكاء على الدرج - فيمكن أن تتضرر مجاري الفرن. وتبلغ الحمولة القصوى للدرج 15 كجم.
- تجنب تخزين الحاويات الاصطناعية أو القابلة للاشتعال بسرعة داخل حجرة تدفئة الأواني. فعند تشغيل الجهاز قد تذوب هذه الحاويات والأجسام أو تشتعل فيها النيران. وتندر بخطر الحريق!
- تجنب استخدام الجهاز كجهاز تدفئة. فقد تسبب درجات الحرارة المرتفعة اشتعال المواد القابلة للاشتعال الموجودة بالقرب من الجهاز.
- عند التوقف عن استخدام الجهاز في نهاية عمره الافتراضي، افصله من مصدر الإمداد بالطاقة وتخلص من الكبلات الكهربائية حتى يصير الجهاز غير قابل للاستخدام ولا يكون خطراً على سبيل المثال، استخدام الأطفال للعب به.

1.3 التركيب

- اتبع التعليمات المرفقة بشكل منفصل.
- يجب أن يضمن التركيب الحماية من الاتصال المباشر بالأجزاء المتصلة بالتيار الكهربائي.
- ينبغي أن يزود النظام الكهربائي بوسيلة لفصل التيار، من خلال قواطع عند جميع الأقطاب توفر قطعاً تاماً للتيار عند ارتفاع الجهد الكهربائي إلى الفئة الثالثة.
- يجب استخدام قابس للتوصيل الكهربائي، ويجب أن يسهل الوصول إليه بعد التركيب.
- ⚠تحذير! قبل توصيل الجهاز، يجب مقارنة البيانات (الجهد الكهربائي والتردد) في لوحة البيانات مع تلك الخاصة بمصدر الإمداد بالطاقة. فقد تحدث مشكلات في حالة عدم تطابق البيانات. وفي حالة وجود شك عليك بالاتصال بالكهربائي.
- ⚠تحذير! في حالة توصيل الجهاز بدون استخدام قابس (سلكي)، يجب تركيب الجهاز وتوصيله من قبل فني. اتصل بكهربائي مؤهل لتنفيذ العمل وفقاً للرمز الكهربائي وبما يتوقف مع جميع أحكام هذا الدليل. كما أن الشركة المصنعة غير مسؤولة عن الأضرار الناتجة عن أخطاء التركيب أو التوصيل.
- ⚠تحذير! يمكن ضمان السلامة الكهربائية للجهاز فقط في حالة التأريض بشكل صحيح. كما أن الشركة المصنعة غير مسؤولة عن الأضرار الناجمة عن عدم وجود نظام التأريض الوقائي للتركيب أو وجود خلل به (مثل الصدمة الكهربائية).

- **⚠ تحذير!** استخدم هذا الجهاز فقط عند تركيبه في موقعه. حيث يمكن أن يضمن التركيب الكامل والنهائي فقط داخل وحدة المطبخ عدم وجود خطر من ملامسة الأجزاء المتصلة بالتيار الكهربائي.
- **⚠ تحذير!** يُحظر فتح بدن الجهاز. حيث يمكن حدوث اتصال بين الأجزاء المتصلة بالتيار الكهربائي أو يمكن أن تمثل أي تغييرات على الأجزاء الكهربائية والميكانيكية خطراً على سلامة المستخدمين وتخل بعمل الجهاز السليم.

1.4 التنظيف

- لا تستخدم منظفات حادة أو قاسية أو كاشطات معدنية/سكاكين لتنظيف الجهاز لأنها يمكن أن تخدش السطح.
- لا تستخدم منظفات البخار لتنظيف الجهاز.
- لا تستخدم أجهزة التنظيف بالضغط العالي أو التنظيف بالبخار. فقد قد يؤثر البخار على المكونات الكهربائية ويتسبب في حدوث دائرة كهربائية قصيرة. ويمكن أيضاً أن يسبب ضغط البخار ضرراً لسطح الجهاز والمكونات على المدى الطويل.

1.5 الإصلاحات

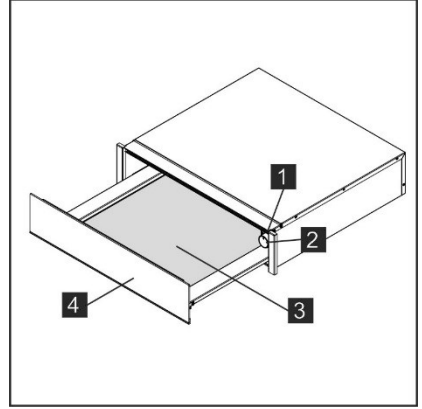
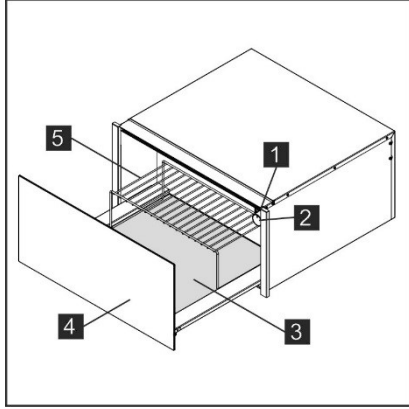
- في حالة تلف كبل الإمداد بالطاقة الخاص بالجهاز، يجب استبداله من قبل الشركة المصنعة أو فني معتمد أو كهربائي مؤهل لتفادي أي مخاطر محتملة.
- **⚠ تحذير!** يجب عزل الجهاز عن مصدر الكهرباء عند تنفيذ أعمال التركيب والإصلاح. ولفصل الجهاز عن التيار، يجب استيفاء أحد الشروط التالية:
 - يجب فصل المصاهر/قواطع الدائرة ذات الصلة في لوحة المفاتيح.
 - ينبغي نزع القابس من المقبس. لنزع القابس من المقبس، تجنب سحب السلك الكهربائي بل اسحب القابس مباشرة.
- **⚠ تحذير!** يجب إجراء الإصلاحات والصيانة، خاصةً للمكونات المتصلة بالتيار الكهربائي، فقط من قبل الفنيين المصرح لهم من قبل الشركة المصنعة. لا تتحمل الشركة المصنعة وتاجر التجزئة مسؤولية حدوث أي إصابات للأشخاص أو الحيوانات أو تلف الممتلكات الشخصية نتيجة لعمليات الإصلاح والصيانة التي يقوم بها أفراد غير مصرح لهم بذلك.
- **⚠ تحذير!** يجب إجراء الإصلاحات التي تُجرى خلال فترة الضمان فقط من قبل الفنيين المصرح لهم من قبل الشركة المصنعة. فإذا لم يكن الأمر كذلك، سيتم استبعاد أي ضرر ناتج عن الإصلاح المعني من الضمان.

2. وصف الجهاز

2.1 المكونات الرئيسية

4 اللوحة الأمامية مع الألية أو مقبض الانضغاطي
5 رف داعم (حسب الطراز)

1 مفتاح التشغيل/إيقاف التشغيل والإضاءة
2 جهاز التحكم في درجة الحرارة
3 قاعدة مقاومة للانزلاق



2.2 كيف يعمل درج التسخين

تم تجهيز هذا الجهاز بنظام تدوير الهواء الدافئ. حيث تُوزع المروحة الحرارة الناتجة عن عنصر التسخين الكهربائي في جميع أنحاء الجهاز من الداخل. يتيح جهاز التحكم في درجة الحرارة للمستخدم ضبط درجة الحرارة والتحكم بها حسب نوعية الأواني. ويعمل الهواء الساخن الذي يدور داخل الفرن على تسخين الأواني بسرعة وبشكل متساوٍ.

تقي الشبكة الواقية من ملامسة عنصر التسخين والمروحة بشكل عرضي. تُغطى قاعدة الدرج بمادة غير قابلة للانزلاق لحماية الأطباق من التحرك عند فتح الدرج أو غلقه.

3. الاستخدام

3.1 قبل الاستخدام للمرة الأولى

قبل استخدام الجهاز للمرة الأولى ينبغي لك تنظيف الجهاز من الداخل

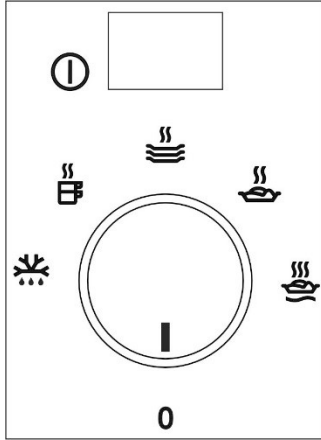
والخارج باتباع تعليمات التنظيف الموضحة في قسم "التنظيف والصيانة".

أزل القاعدة غير القابلة للارتداد

ثم سخّن الأواني لمدة ساعتين على الأقل. وللقيام بذلك، أدر مفتاح التحكم في درجة الحرارة إلى أقصى وضع (راجع قسم "تحديد درجة الحرارة").

وتأكد من توافر التهوية الجيدة في المطبخ عند القيام بذلك. أجزاء الجهاز معالجة بمنتهى خاص. وقد يتسبب ذلك في انبعاث رائحة كريهة أثناء التسخين الأولي. وستختفي الرائحة وأي أبخرة ناتجة بعد وقت قصير ولا تشير إلى وجود أي خطأ في التوصيل أو الجهاز.

3.2 لوحة التحكم



تحتوي لوحة التحكم على مفتاح محدد الوظائف ومفتاح التشغيل/إيقاف التشغيل. وتظهر لوحة التحكم فقط أثناء فتح الدرج.

3.3 استخدام درجة التسخين

لاستخدام درجة التسخين، اتبع الخطوات التالية:

- ضع الأواني في الدرج.
- تجنب وضع الأواني في وضع رأسي أمام فتحات التهوية.
- فلن يخرج الهواء الدافئ بالكامل من الفتحات. وهذا من شأنه أن يؤدي إلى تسخين غير متساو للأواني.
- حدد الوظيفة المرغوبة عن طريق تدوير مقبض التحكم في درجة الحرارة إلى الموضع المناظر.
- ستملّل الجهاز بالضغط على المفتاح؛ سيضيئ الضوء المقابل.
- أغلق الدرج.

توخ الحذر ولا تعلق الدرج بقوة نظرًا لأنه قد يفتح مرة أخرى. قبل إخراج الأواني الدافئة، يجب إيقاف تشغيل درج التسخين عن طريق الضغط على المفتاح مرة أخرى.

3.4 تحديد الوظيفة

يتيح لك مقبض التحكم في درجة الحرارة تحديد درجات حرارة تتراوح بين 30 و80 درجة مئوية.

لا تحرك مقبض التحكم في درجة الحرارة إلى اليسار إلى ما بعد الوضع "0" بالقوة، أو إلى اليمين إلى ما بعد درجة الحرارة القصوى بالقوة، فقد يؤدي ذلك إلى إتلافه.

بمجرد الوصول إلى درجة الحرارة المحددة، سيتم إيقاف تشغيل عنصر التسخين. وعندما تنخفض درجة الحرارة إلى ما دون القيمة المحددة، سيتم تشغيل عنصر التسخين مرة أخرى.

عندما تنخفض درجة الحرارة إلى ما دون القيمة المحددة، سيتم تشغيل عنصر التسخين مرة أخرى:

الرمز	درجة مئوية (*)	الوظيفة	التحذير
	30 درجة مئوية	إذابة الثلج. تخمير العجين. تخمير الزبادي.	- قم بتغطية العجين. قم بتغطية الحوض.
	45 درجة مئوية	تدفئة الأكواب والفناجين.	-
	60 درجة مئوية	تدفئة أطباق العشاء. إعادة تسخين الأطعمة الحساسة.	- سخن الطبق مسبقاً.
	70 درجة مئوية	المحافظة على دفء الأطعمة.	سخن الطبق مسبقاً وقم بتغطية الطعام.
	80 درجة مئوية	إعادة تسخين الأطعمة.	سخن الطبق مسبقاً.

* تشير درجات الحرارة إلى الدرج عندما يكون فارغاً ومغلقاً.

3.5 أوقات التسخين

العوامل المختلفة التي تؤثر على أوقات التسخين:

- المواد وسمك الأواني
- مقدار الطعام
- كيفية وضع الطعام في الأواني
- ضبط درجة الحرارة
- فتح الدرج وإغلاقه بشكل متكرر

لذا لا يمكن تحديد أوقات تسخين دقيقة.

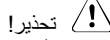
عند استخدامك درج التسخين بانتظام، ستتعلم أفضل الإعدادات للأواني الخاصة بك.

اقتراحات لوظيفة "الحفاظ على دفء الطعام" و"إعادة التسخين":

سخن درج التسخين مسبقاً لمدة 15 دقيقة للتأكد من وصوله إلى درجة الحرارة الداخلية المطلوبة.

4. التنظيف والصيانة

التنظيف هو إجراء الصيانة الوحيد المطلوب إجراؤه عموماً.



تحذيراً!

يجب فصل درج التسخين من مصدر الإمداد بالطاقة قبل التنظيف. افصل الجهاز من المقبس أو اعزل دائرة الإمداد بالطاقة الخاصة به.

تجنب استخدام مواد التنظيف القاسية أو الكاشطة أو الوسادات/الإسفنجات الكاشطة أو الأشياء الحادة، فقد يسبب ذلك حدوث بقع أو خدوش. يُحظر استخدام أجهزة التنظيف بالضغط العالي أو التنظيف بالخيار.

4.1 واجهة الجهاز ولوحة التحكم

يمكن تنظيف درج التسخين باستخدام قطعة قماش مبللة فقط. وإذا كان متسخاً للغاية، أضف بضع قطرات من سائل غسل الأواني إلى الماء. جفف الأسطح باستخدام قطعة قماش جافة.

يمكن استخدام منتجات مخصصة للأسطح المصنوعة من الفولاذ المقاوم للصدأ مع الجزء الأمامي من أدراج التسخين المصنوع من الفولاذ المقاوم للصدأ.

حيث تمنع هذه المنتجات تراكم الأوساخ على هذه الأسطح. ضع طبقة رقيقة من هذا المنتج على السطح باستخدام قطعة قماش ناعمة.

على الجزء الأمامي من أدراج التسخين المصنوع من الألمونيوم، استخدم منتج تنظيف زجاجي خفيف وقطعة قماش ناعمة خالية من الوبر. وامسح أفقياً بدون ضغط.

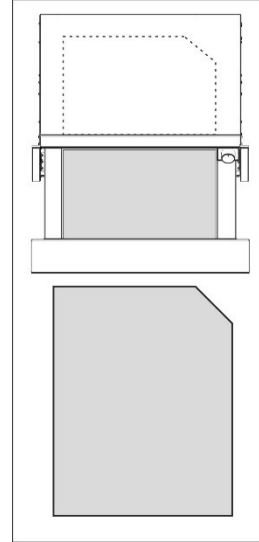
4.2 الجزء الداخلي لدرج التسخين

نظّف الجزء الداخلي لدرج التسخين بانتظام باستخدام قطعة قماش مبللة. وإذا كان متسخاً للغاية، أضف بضع قطرات من سائل غسل الأواني إلى الماء.

جفف الأسطح باستخدام قطعة قماش جافة. وتجنب دخول الماء في فتحة تدوير الهواء. استخدم درج التسخين مرة أخرى فقط عندما يجف تماماً.

قاعدة مقاومة للانزلاق

يمكن إزالة غطاء السطح المقاوم للانزلاق لتسهيل تنظيف الدرج. ويمكن تنظيف الغطاء باليد باستخدام الماء الساخن مع بضع قطرات من سائل غسل الأواني. وجفّه جيداً. لا ينبغي استبدال الغطاء المقاوم للانزلاق إلا عندما يكون جافاً تماماً.



5. ما الذي ينبغي فعله إذا لم يعمل درج التسخين؟

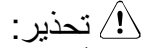
- المواد وسلك الأواني
- مقدار الطعام
- كيفية وضع الطعام في الأواني
- لا يتم تسخين الأواني على الإطلاق. تحقق مما إذا كان:
 - يمكنك سماع ضجيج المروحة إذا كانت المروحة قيد التشغيل، فهذا يعني أن عنصر التسخين معيب. فإذا لم تكن المروحة قيد التشغيل، فهذا يعني أنها متعطلة.
 - تلف المصهر أو تعطل قاطع الدائرة
- الأواني ساخنة للغاية:
 - محدد درجة الحرارة لا يعمل
- مفتاح التشغيل/إيقاف التشغيل لا يضيء:
 - مصباح مؤشر المفتاح تالف
- لا يتم تسخين الأواني بشكل كافٍ. تحقق مما إذا كان:
 - الجهاز قيد التشغيل
 - تم تحديد درجة الحرارة المناسبة
 - فتحات تنوير الهواء مسدودة بالأواني
 - ثرّكت الأواني للتنفّث لوقتٍ كافٍ
- يعتمد وقت التسخين على عدة عوامل منها، على سبيل المثال:

6. تعليمات التركيب

6.1 قبل التركيب

- ! تحذير:
 - ينبغي أن يسهل الوصول إلى مقبس الطاقة بعد تركيب درج التسخين.
 - ينبغي تركيب درج التسخين فقط في الأجهزة المحددة من قبل الشركة المصنعة. وإذا تم تركيبه في أجهزة أخرى، فسيكون الضمان لاغياً لأنه يستحيل ضمان عمل درج التسخين بشكلٍ صحيح.
- ! تحذير!
 - قد يتم تغطية السطح الأمامي لدرج التسخين بطبقة واقية. أزل هذه الطبقة بحذر قبل استخدام درج التسخين للمرة الأولى.
 - وتأكد من عدم تلف درج التسخين بأي شكل من الأشكال.
 - وتأكد من أن الدرج يفتح ويغلق بشكلٍ صحيح. وفي حالة وجود تلف، أبلغ المساعدة الفنية.

6.2 التركيب



يجب تأريض درج التسخين.

⚠️ اتبع التعليمات المرفقة بشكل منفصل.
يتطلب تركيب درج التسخين في جهاز آخر توافر رف وسيط ثابت في الهيكل لدعم وزن الجهازين.
سيتم تركيب الجهاز المراد تركيبه مع درج التسخين فوّه مباشرةً.
اتبع التعليمات الواردة في كتيب التعليمات والتركيب المقابل لتركيب الجهاز المدمج.

إذا كان الكبل المرن الخاص بالجهاز بحاجة إلى استبدال، فاتصل بالدعم الفني أو مركز خدمة معتمد، حيث يلزم استخدام أدوات متخصصة.
لا تتحمل الشركة المصنعة وتاجر التجزئة مسؤولية أي إصابة للأشخاص أو الحيوانات أو تلف الممتلكات الشخصية نتيجة عدم اتباع تعليمات التركيب المقدمة.

6.3 التوصيل الكهربائي

يجب إجراء التركيب الكهربائي من قبل كهربائي مؤهل.
قبل توصيل درج التسخين بمصدر التيار الكهربائي، تأكد من تطابق الجهد وتردد مصدر التيار الكهربائي الموضح على لوحة البيانات داخل الجهاز.
ينبغي إجراء التوصيل الكهربائي عبر مفتاح متعدد الأقطاب مصنّف حسب قدرة التيار مع وجود فاصل 3 مم على الأقل، من أجل توفير العزل في حالات الطوارئ أو عند تنظيف درج التسخين.
يجب أن يكون التوصيل مؤرضاً بشكل مناسب.

7. حماية البيئة



أعد تدوير المواد التي تحمل الرمز التالي.
ضع العبوة في الحاويات المقابلة لإعادة تدويرها.
ساعد في حماية البيئة وصحة الإنسان وأعد تدوير النفايات الناتجة من الأجهزة الكهربائية والإلكترونية.

تجنب التخلص من الأجهزة التي تحمل الرمز التالي مع النفايات المنزلية. خذ المنتج إلى مرفق إعادة التدوير المحلي أو اتصل بالسلطة المحلية لديك.