



Electrolux

Instruction Book

사용 설명서

Sách Hướng Dẫn

Buku Petunjuk

คู่มือการใช้งาน

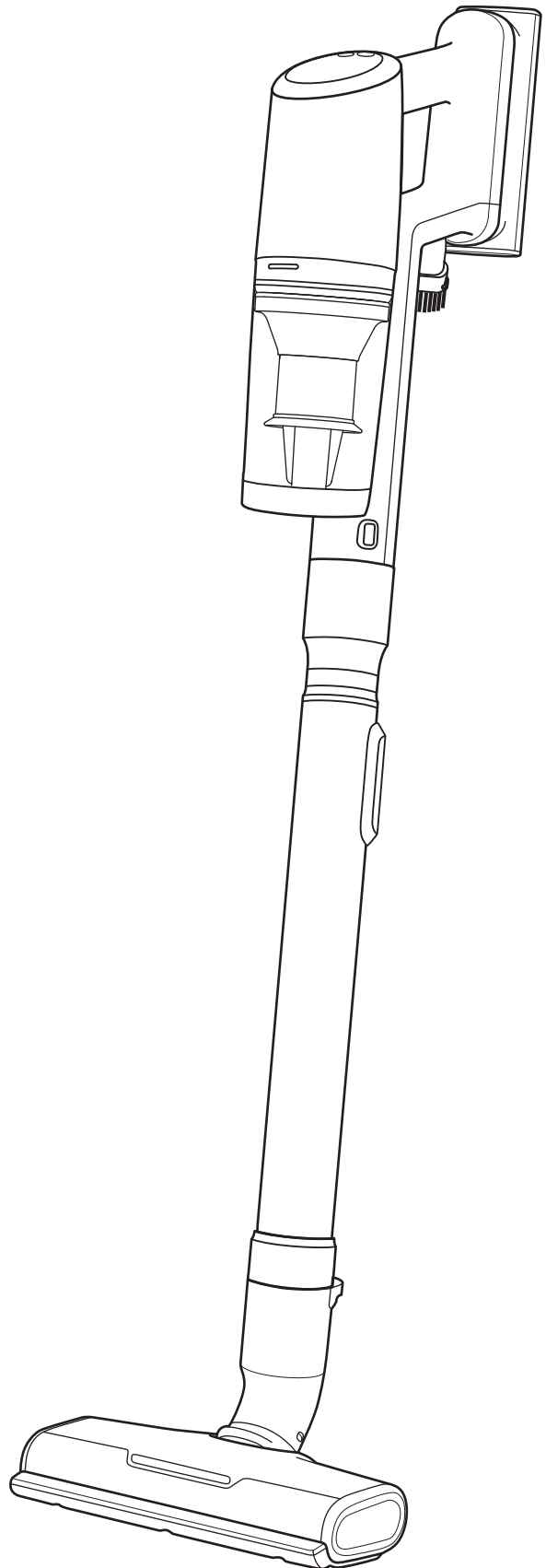
کتاب التعليمات

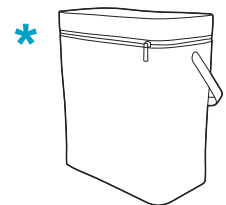
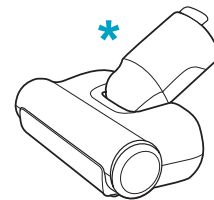
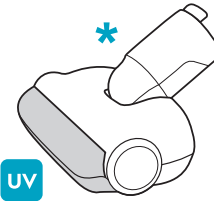
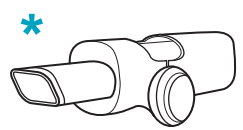
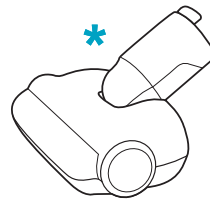
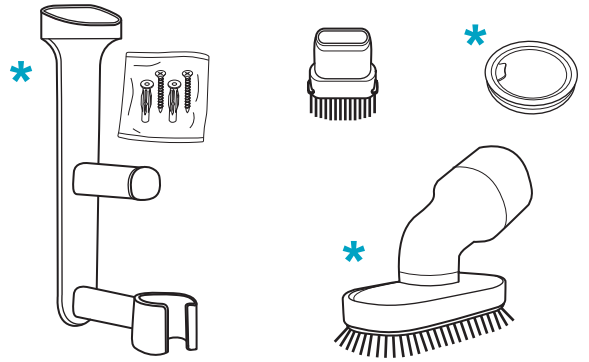
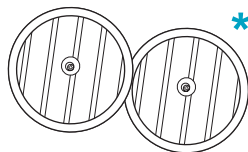
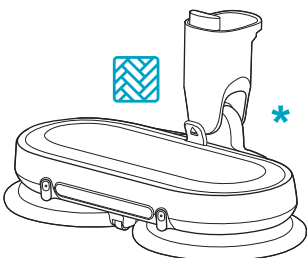
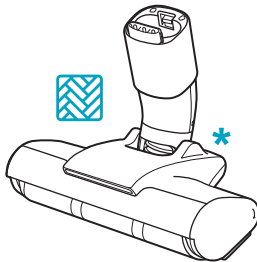
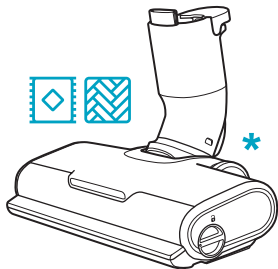
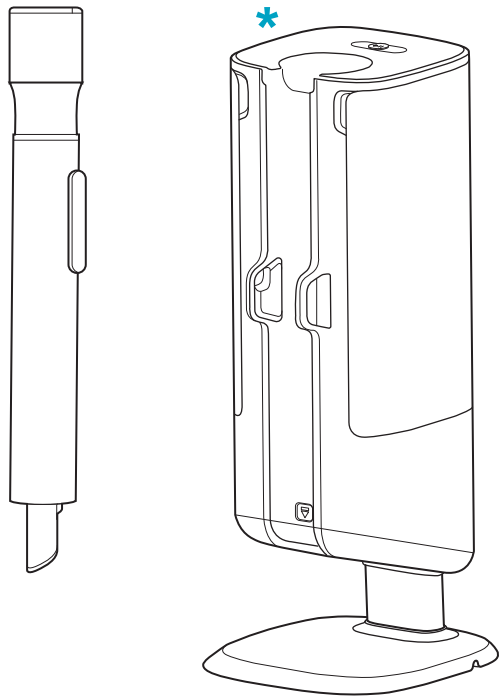
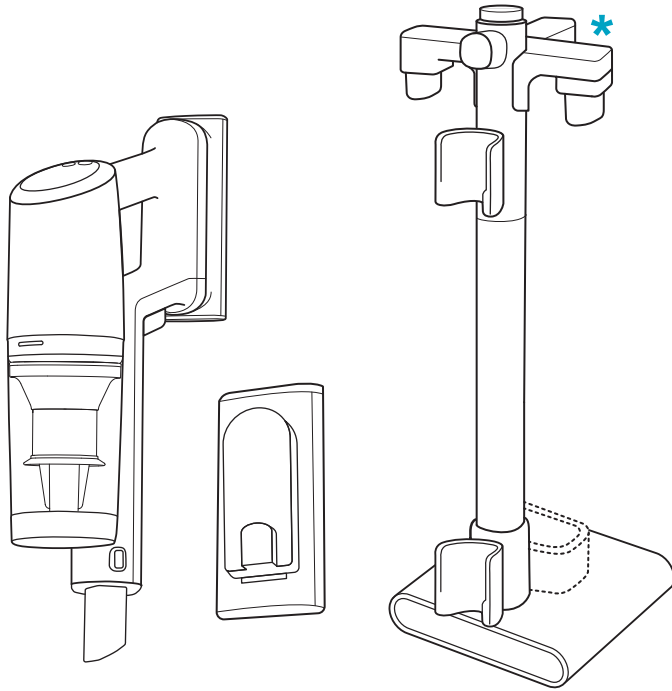
800 CORDLESS CLEANER

EFP81812W/EFP81813B/EFP81814

EFP81824/EFP81825A/EFP81812S/

EFP81824S/EFP81825SB/EFP81835S





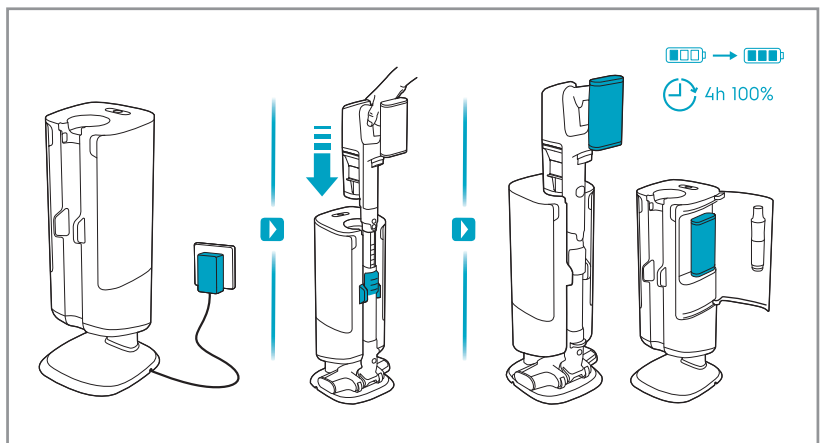
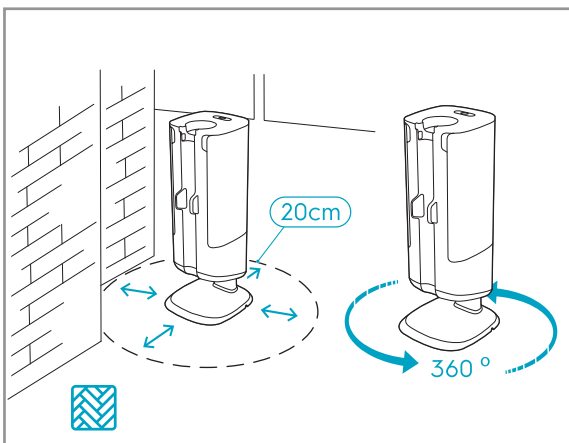
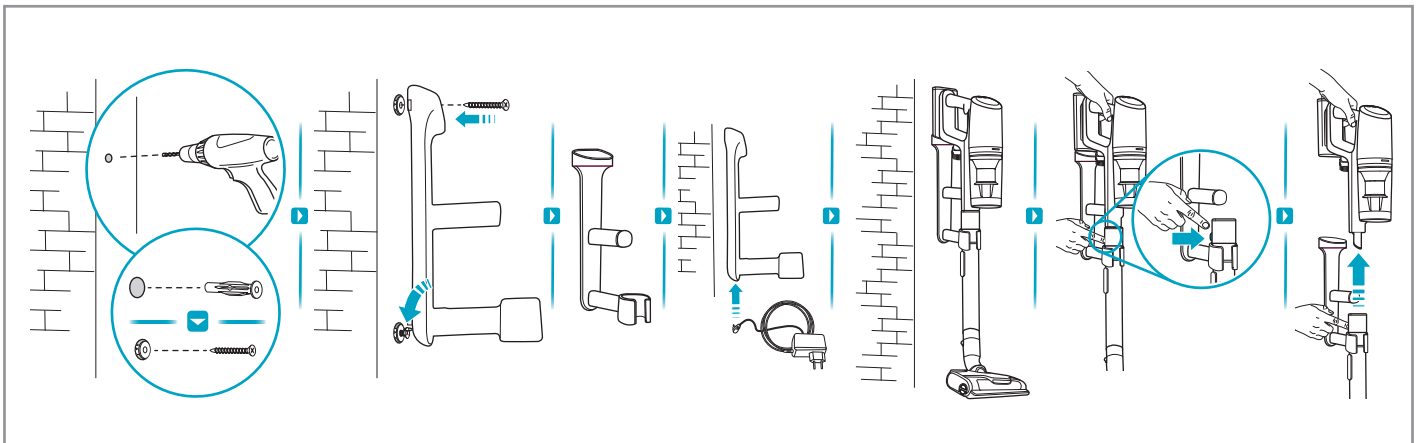
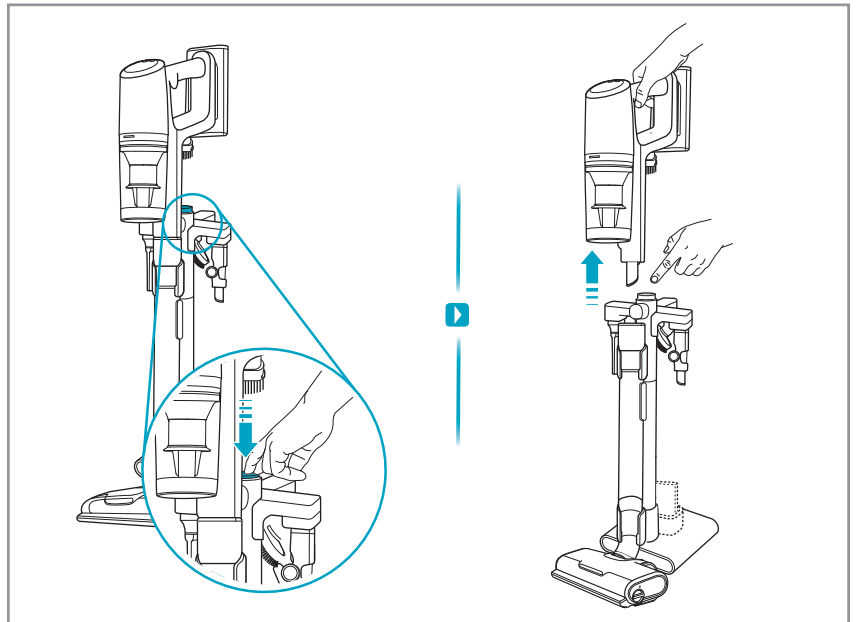
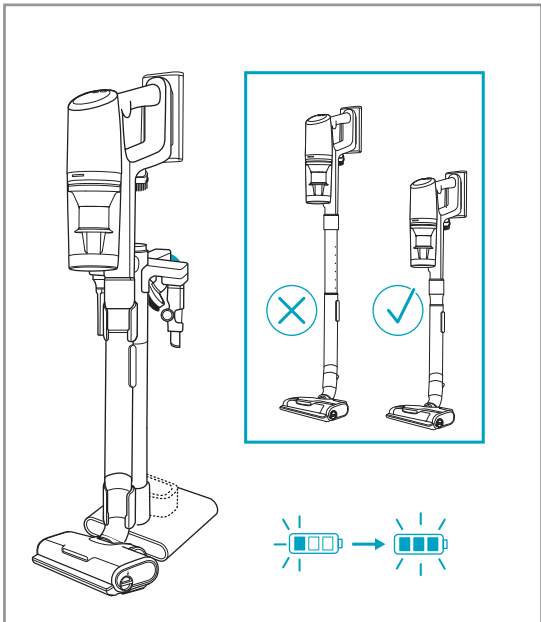
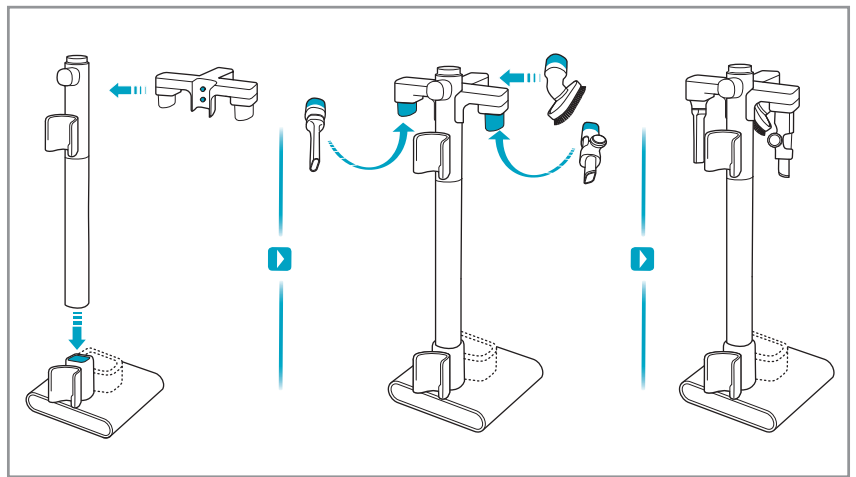
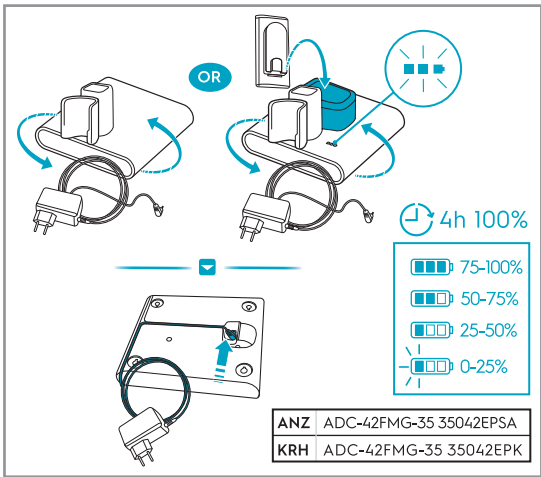
* Available in specific models only.
 특정 모델에만 해당 됩니다.
 Chỉ có ở một số kiểu máy nhất định.
 Tersedia hanya pada model tertentu.
 มีเฉพาะบางรุ่นเท่านั้น
 متوفر في نماذج محددة فقط

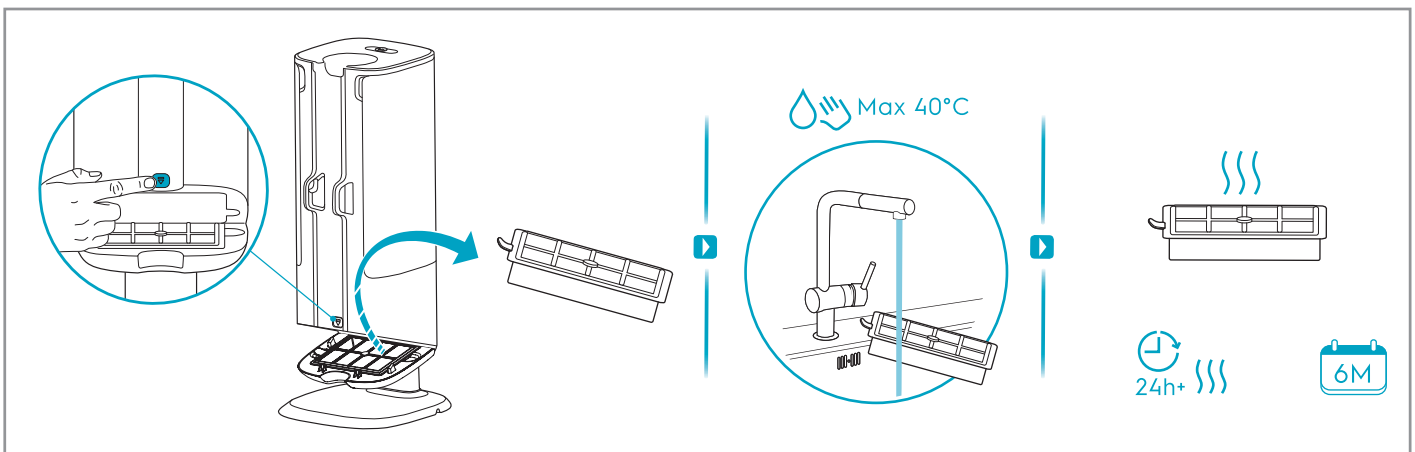
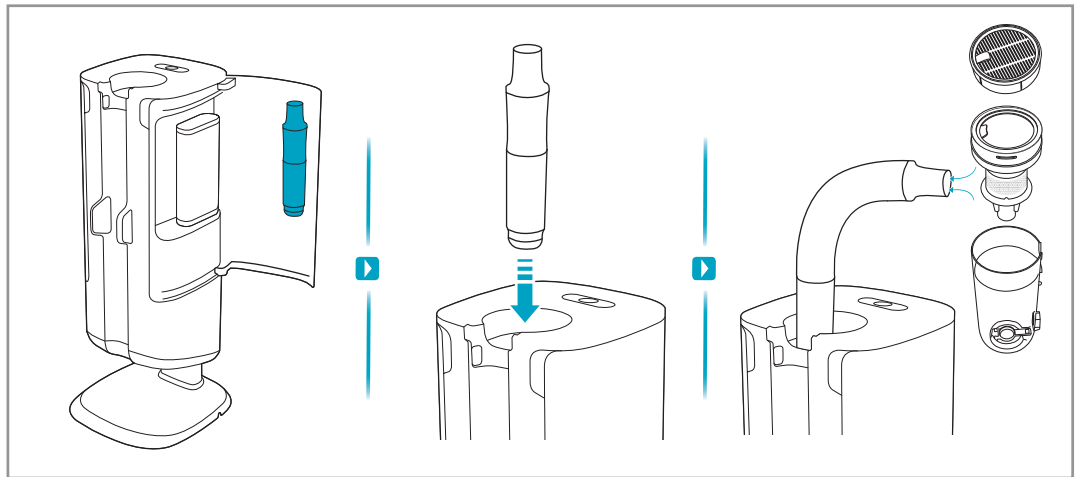
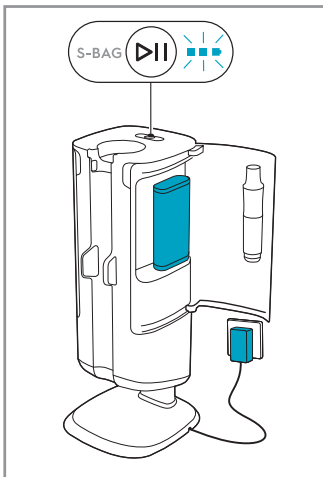
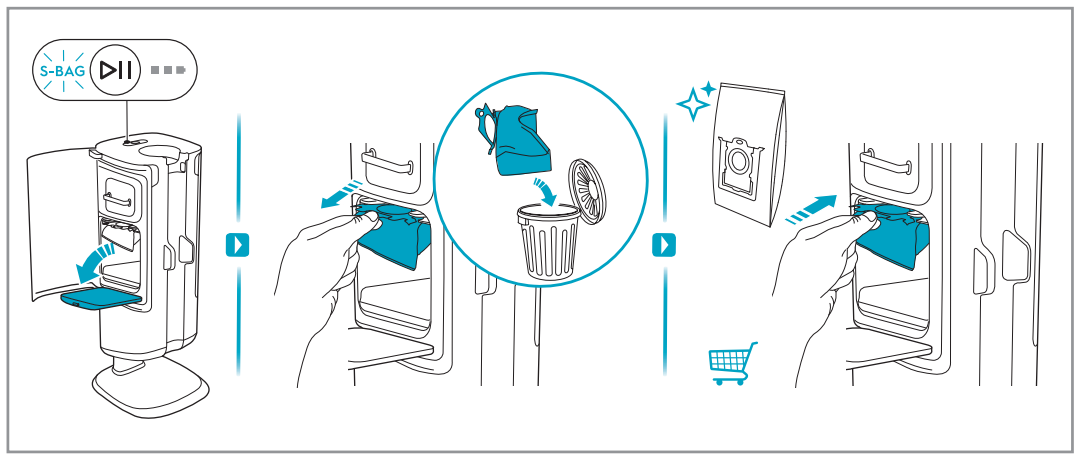
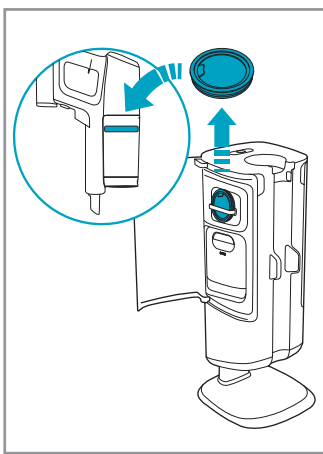
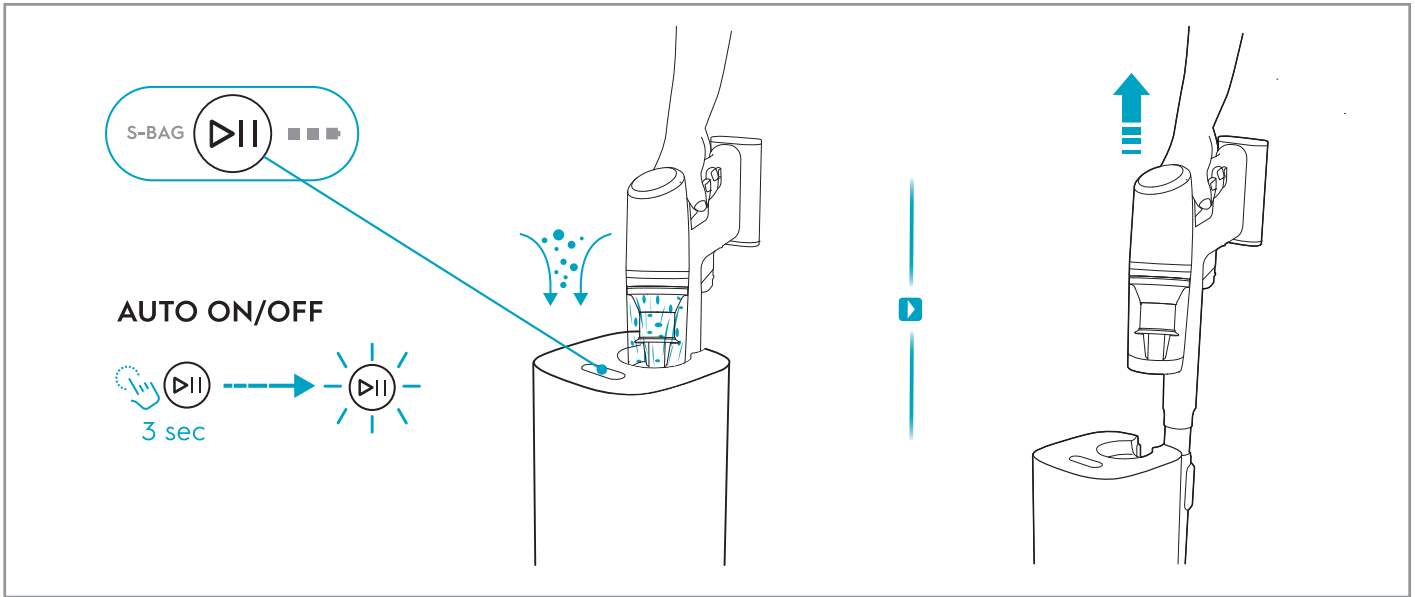


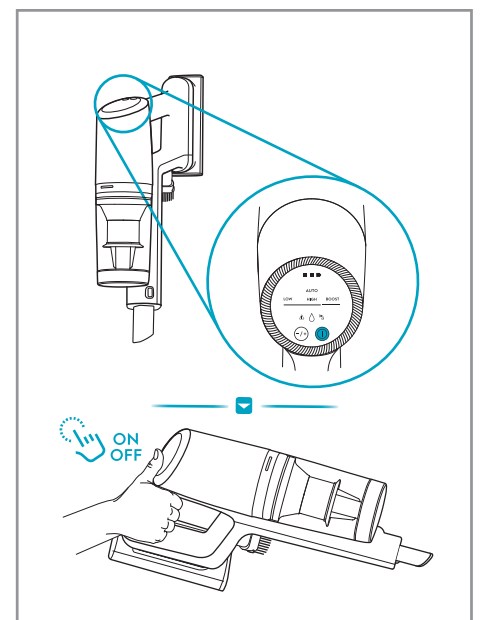
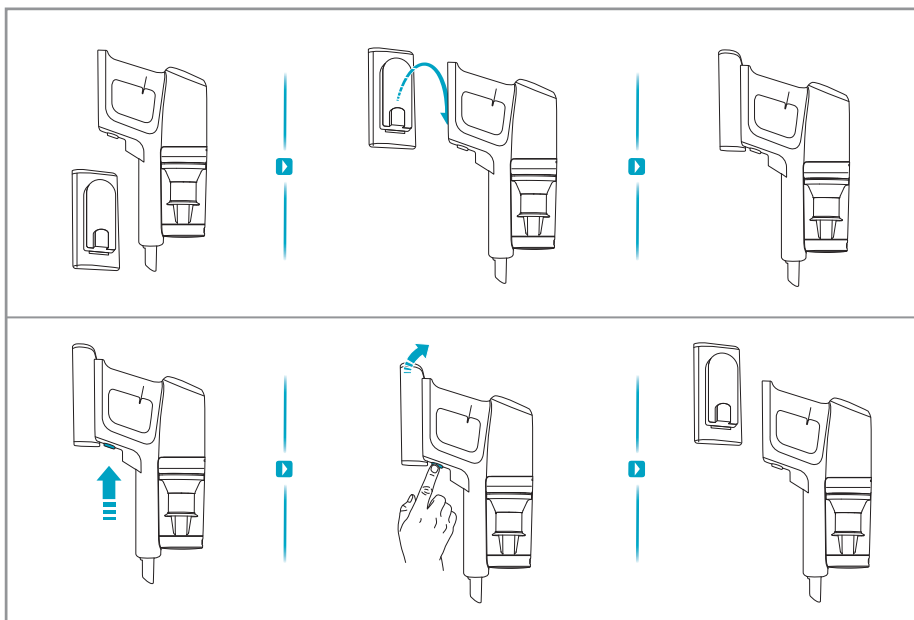
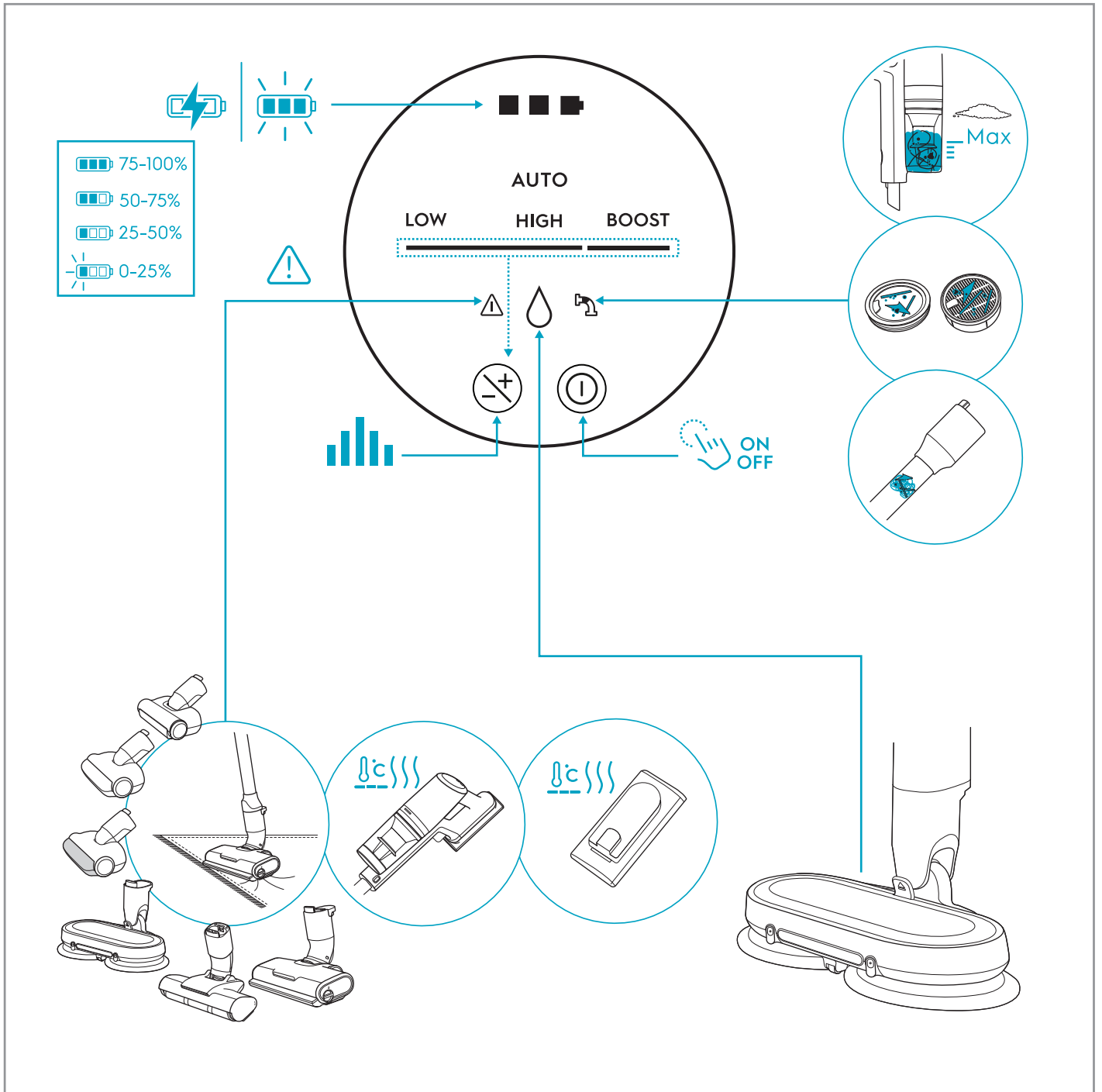
Carpet

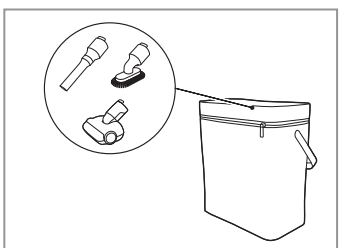
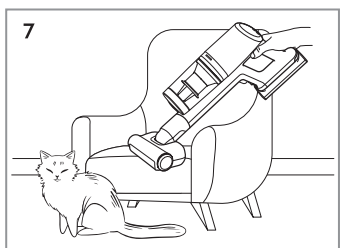
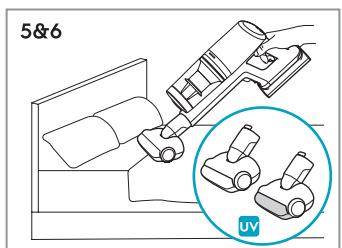
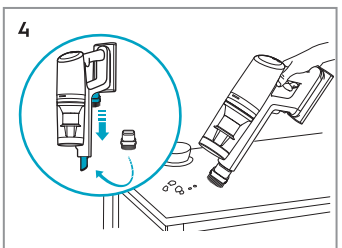
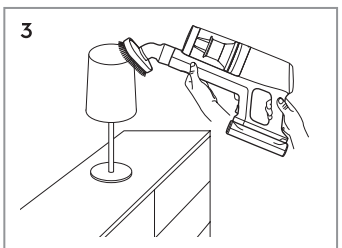
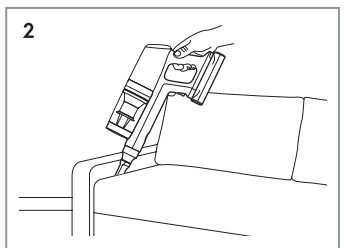
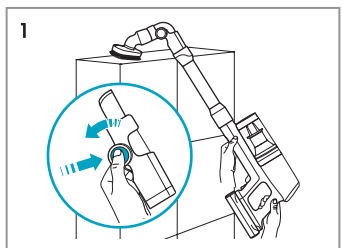
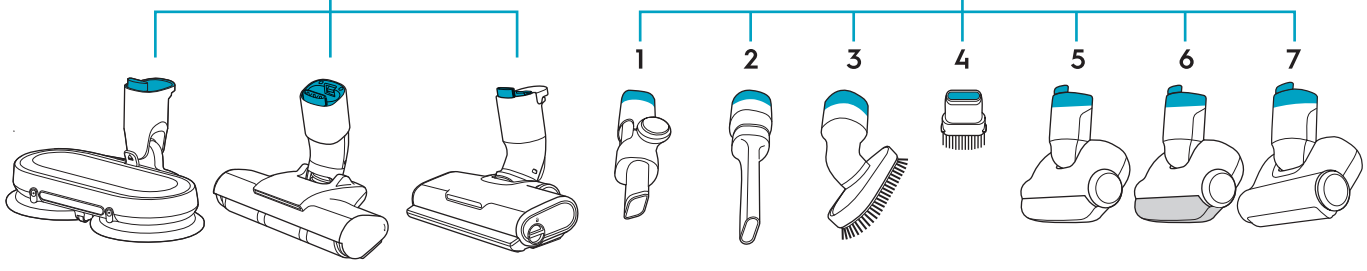
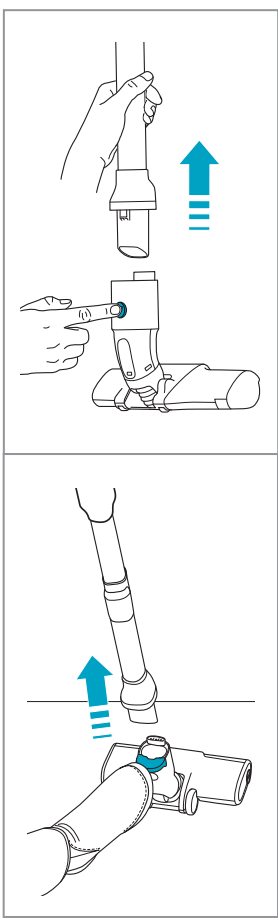
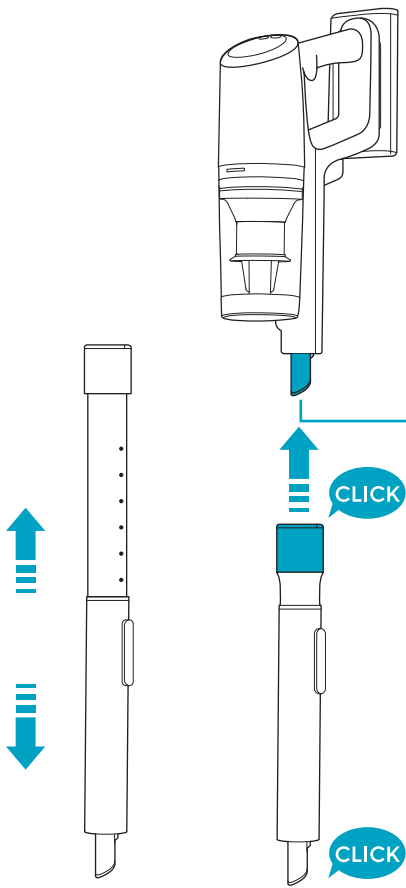


Hard Floor

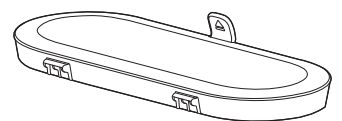
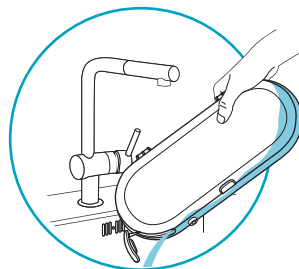
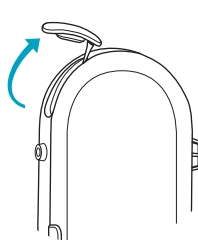
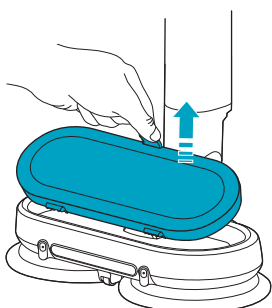
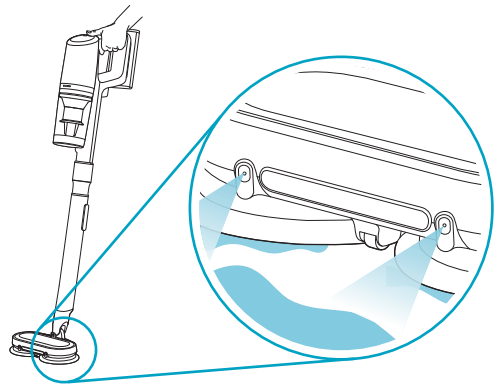
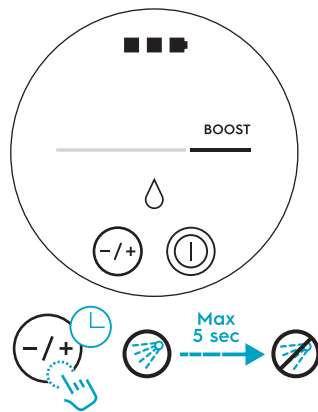
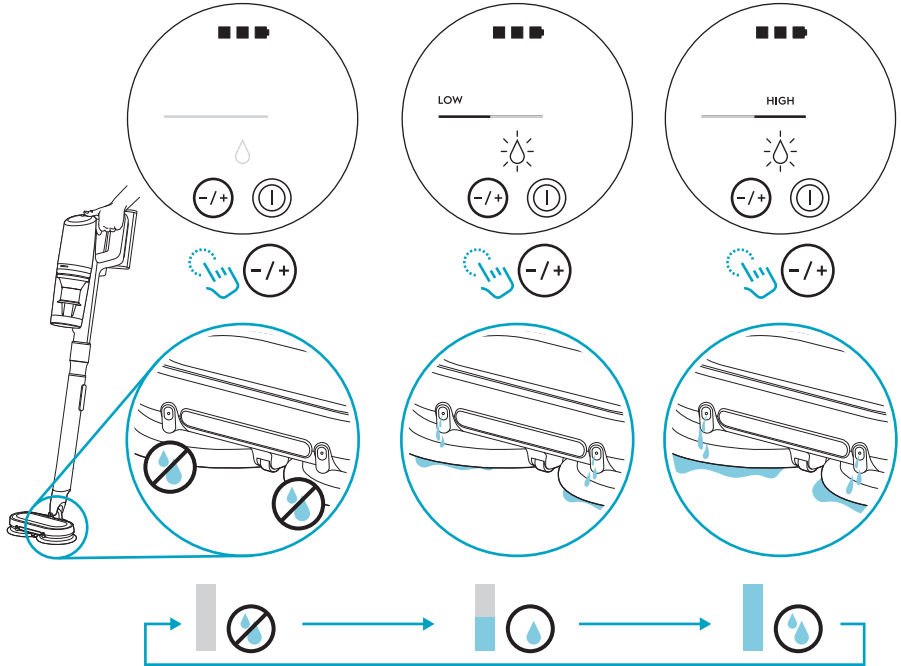
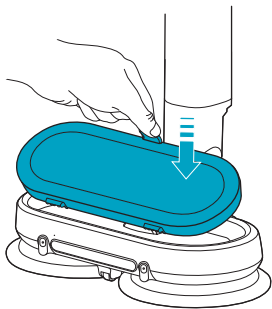
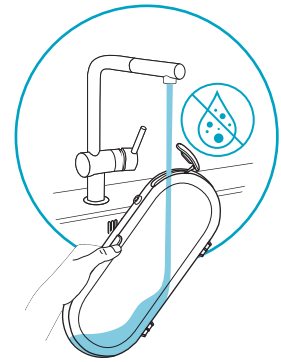
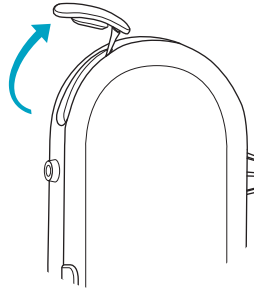
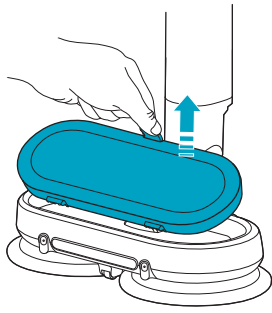




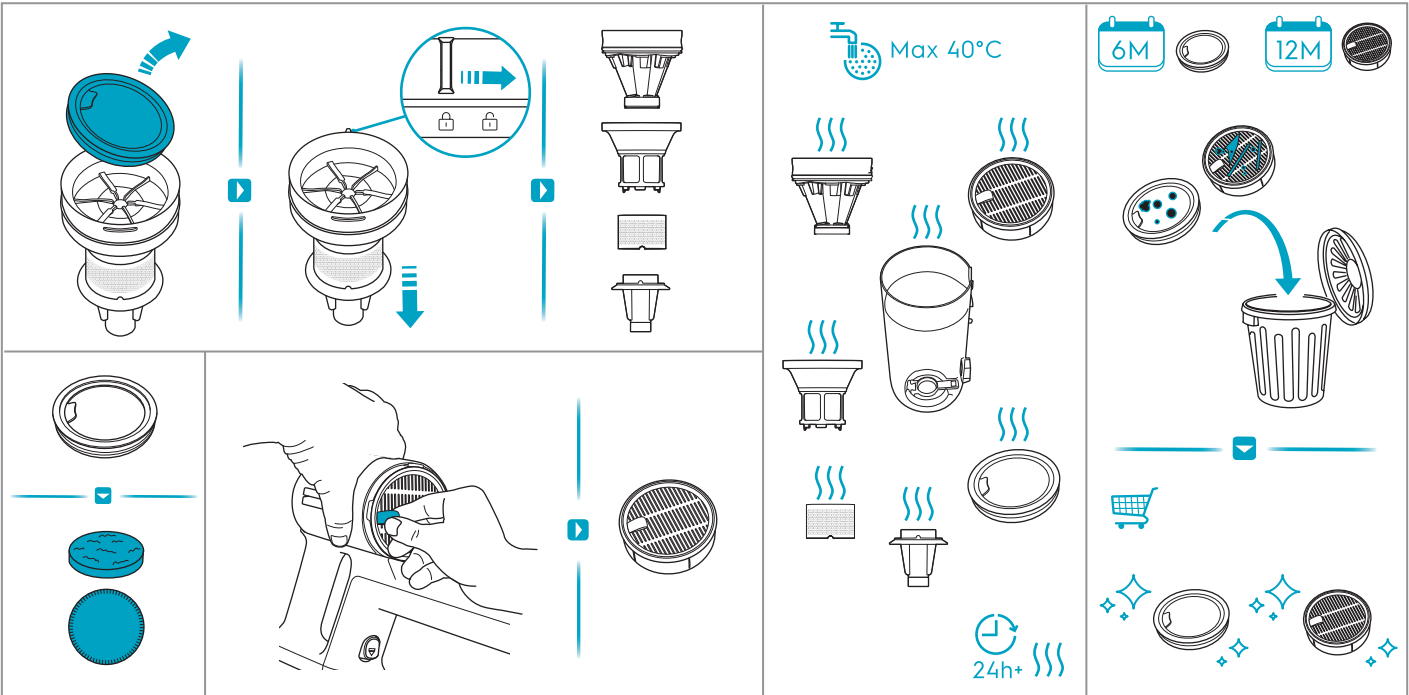
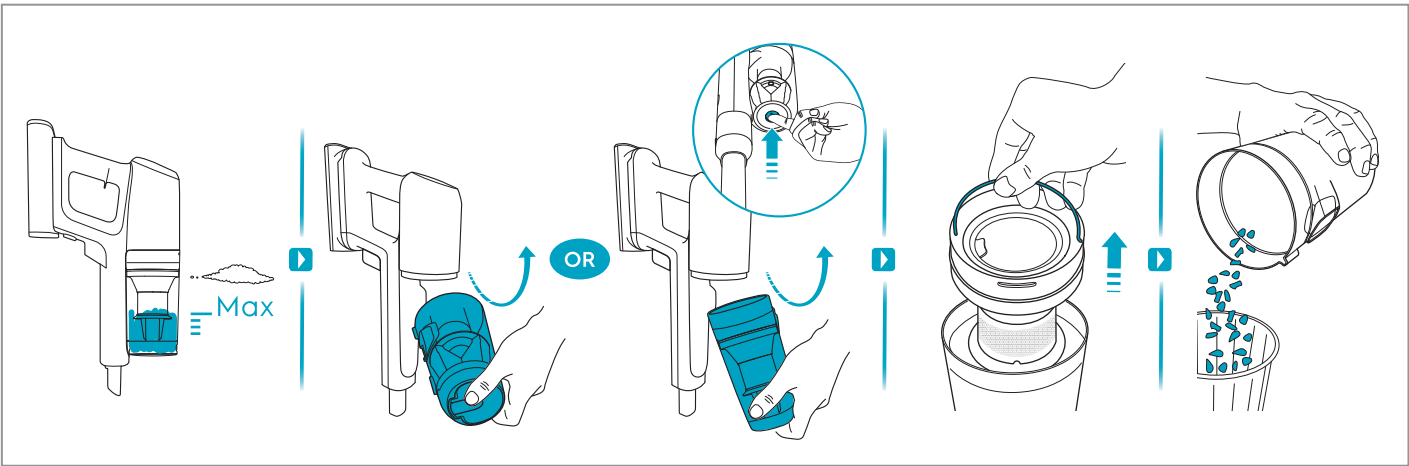
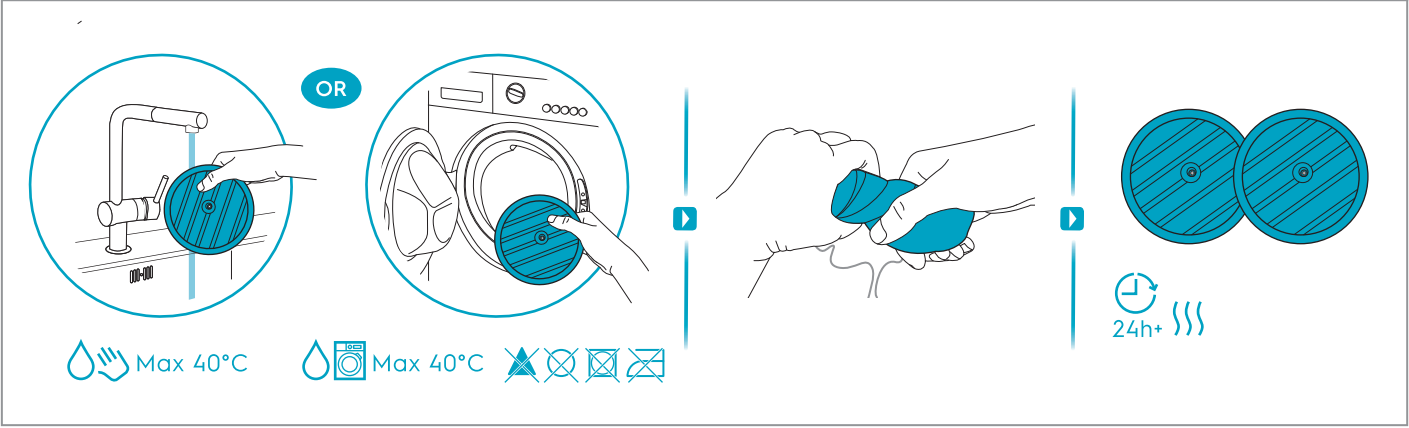
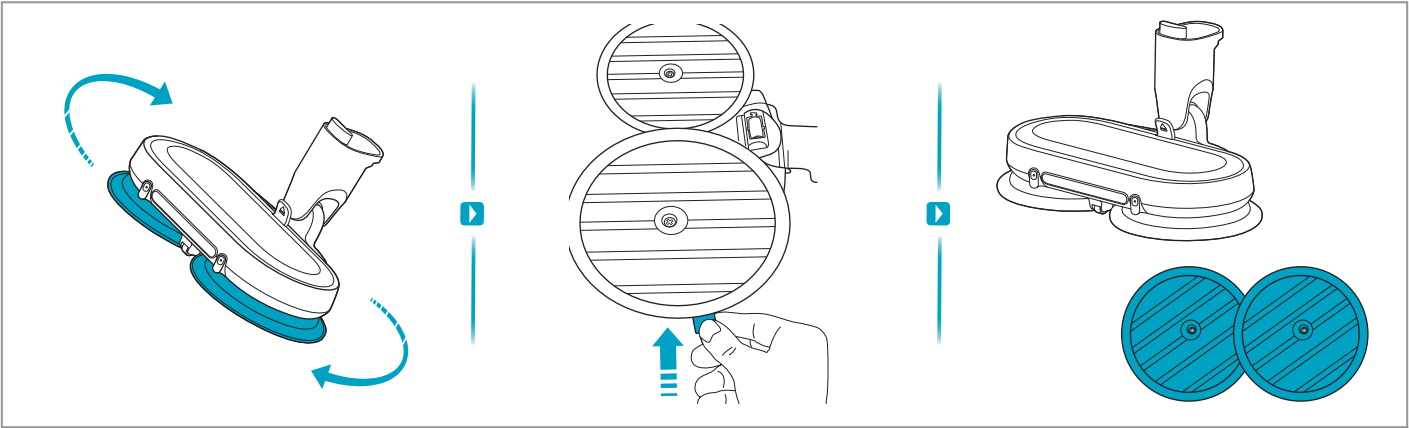


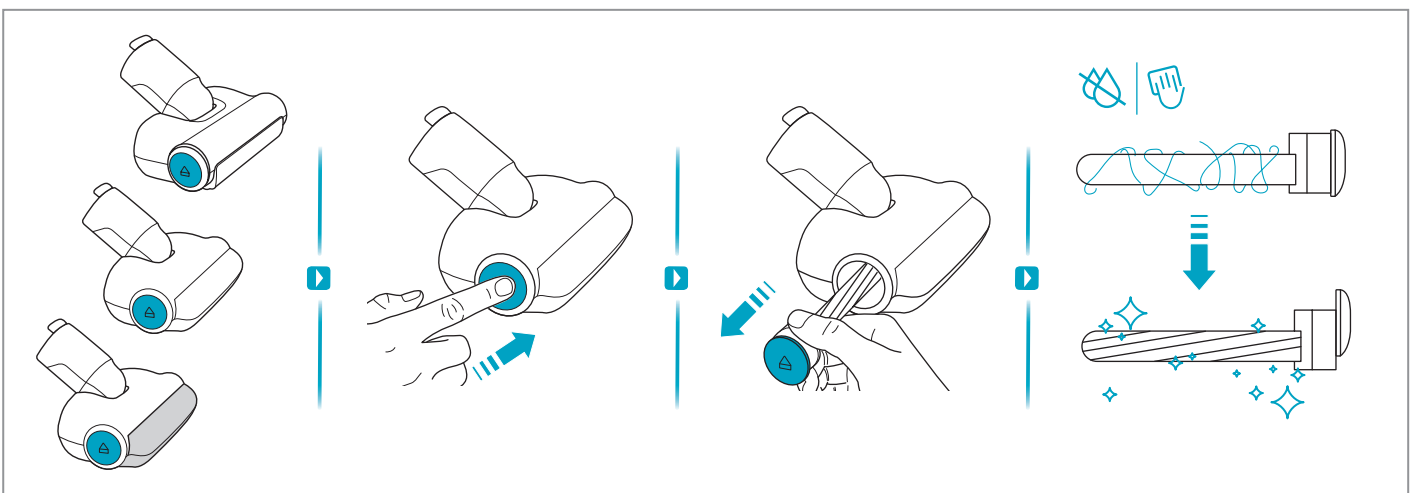
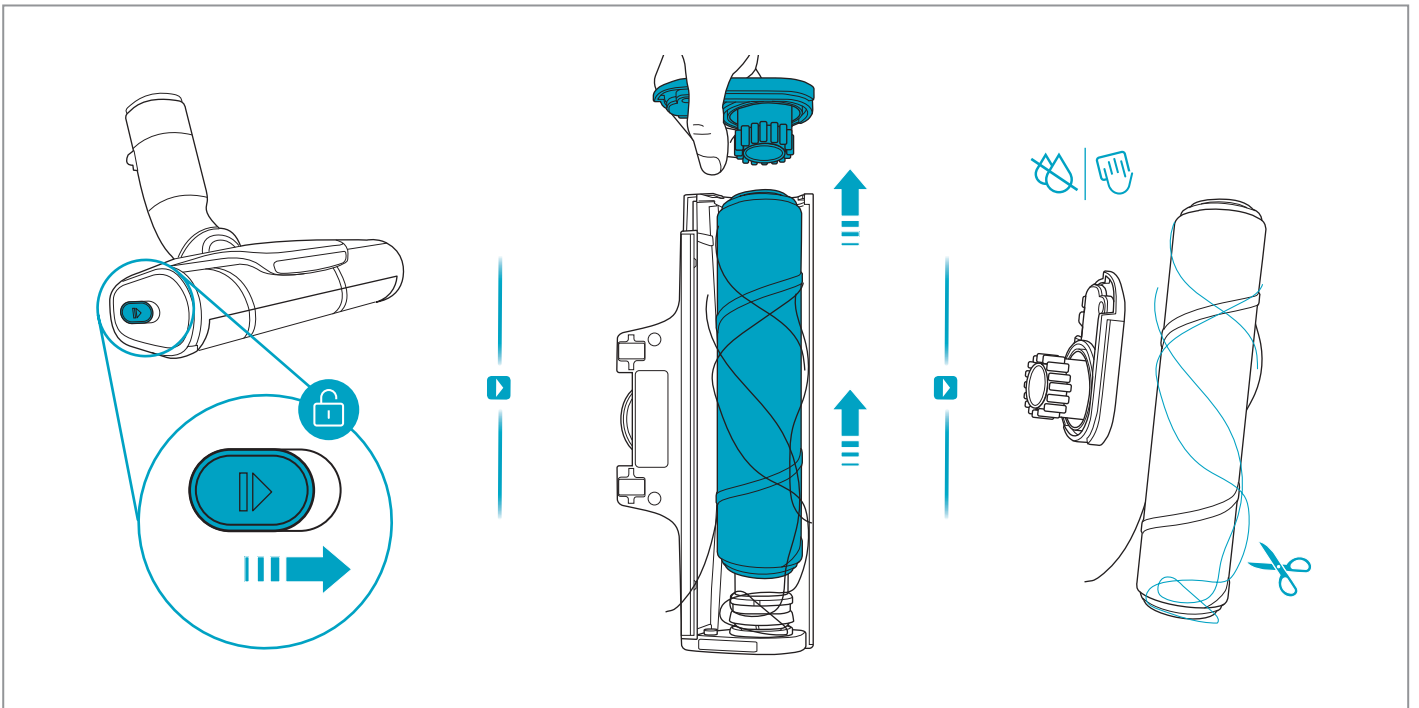
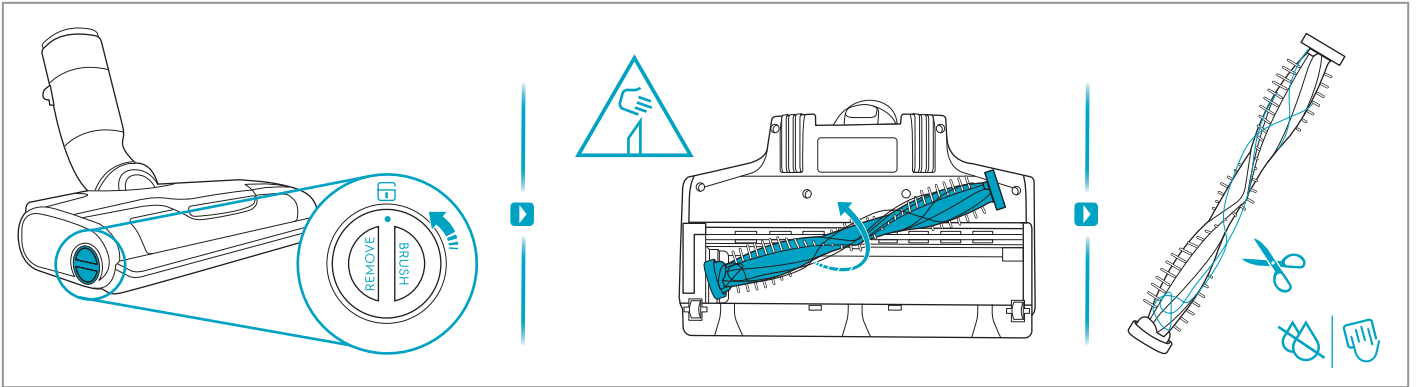
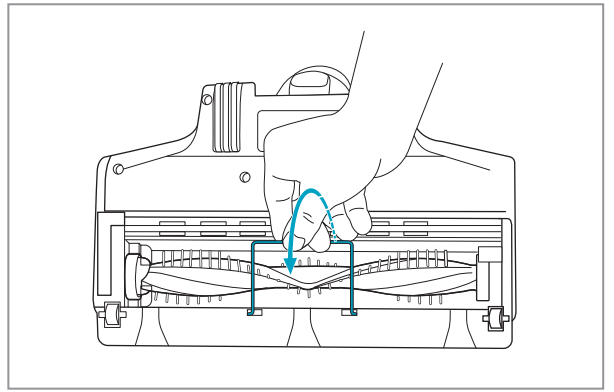
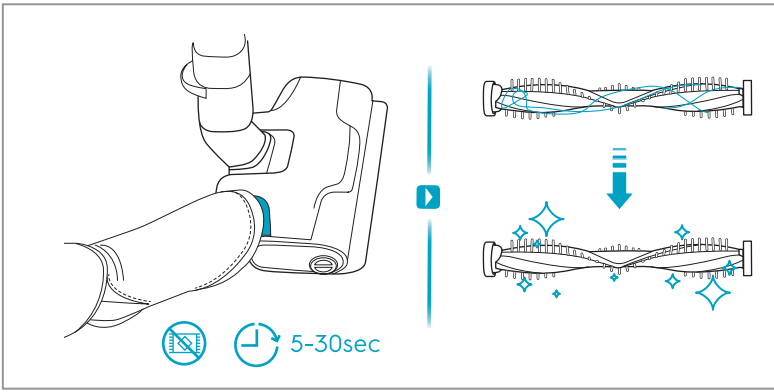


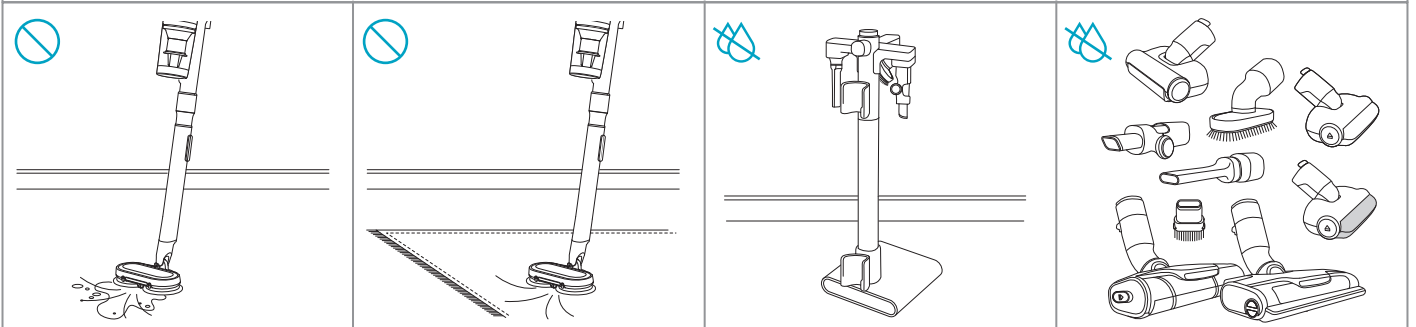
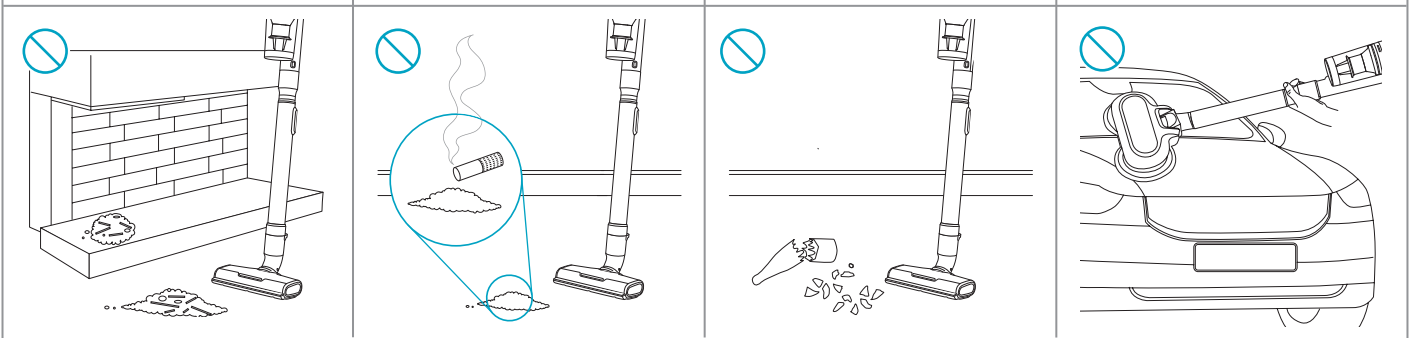
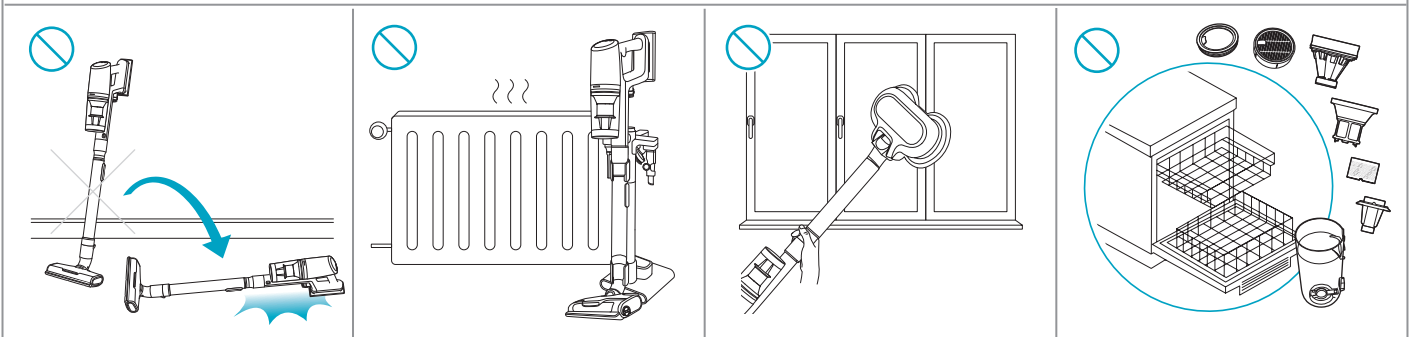
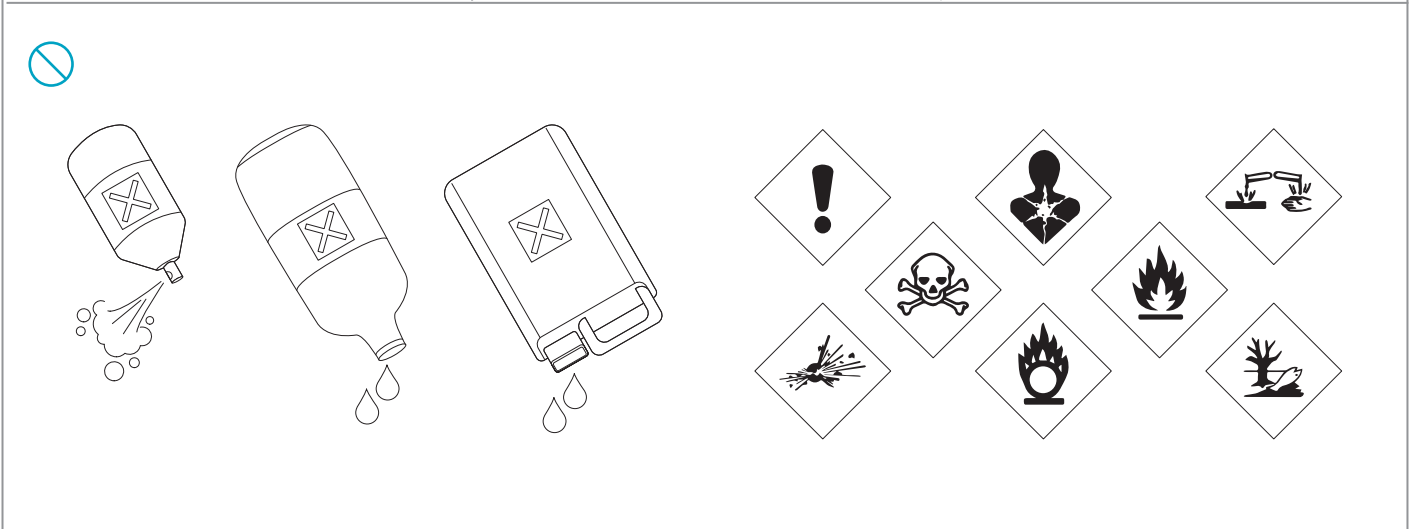
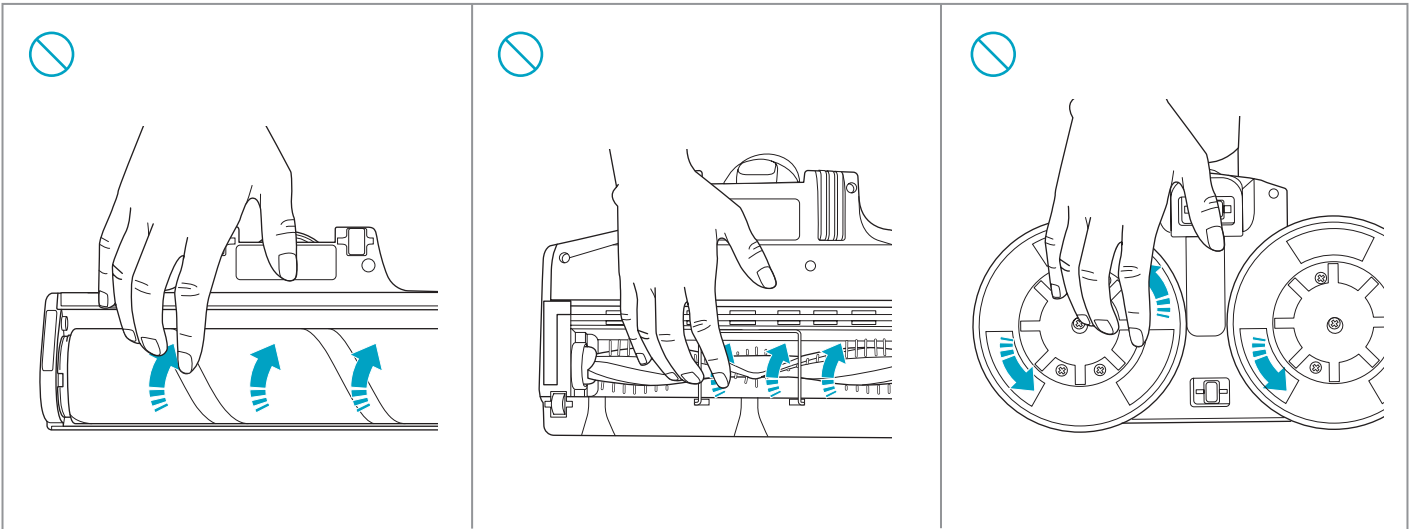
Max 40°C



24h+









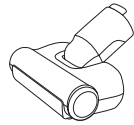
www.shop.electrolux.com



ESKW6

900 923 742

Yearly Performance Kit



ZE155

900 923 379

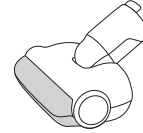
PetPro+



ZE149

900 923 380

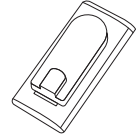
BedProPower+



ZE149A

900 923 381

BedProPowerUV+



ZE190

900 923 812

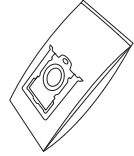
Extra Battery 4.0Ah/100Wh



EPPCS2

900 923 550

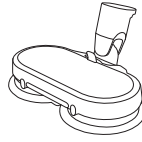
PowerPro Cleaning Station



E201S

900 168 458

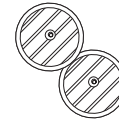
S-bag for Emptying Station



ZE177

900 923 744

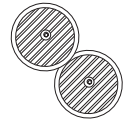
PowerPro Mop+ Nozzle



ZE158

900 923 440

Standard Pads



ZE159

900 923 442

Delicate Pads

*Accessories are subject to country availability.

